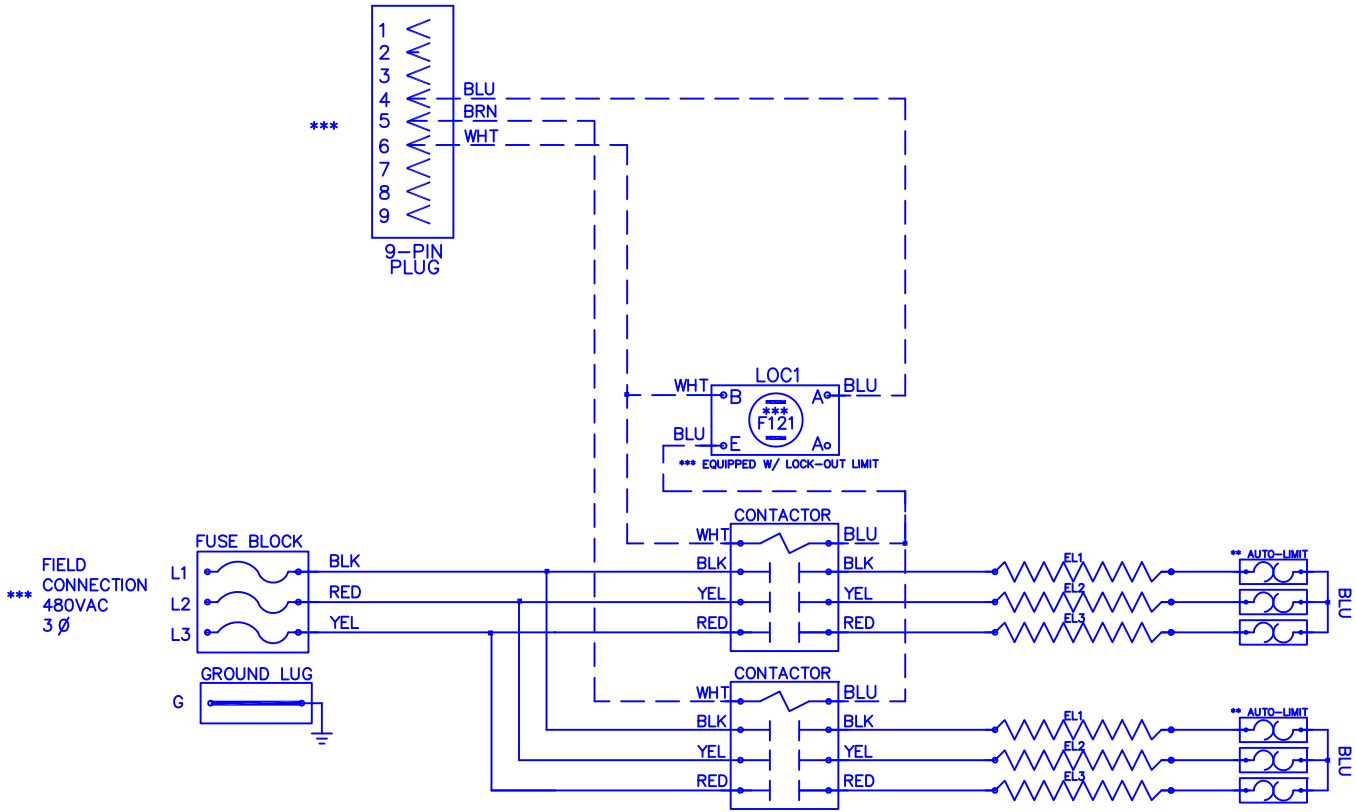


WXD — 3005X



NOTE :

- * Replace Auto-Reset with Therm-O-Disc type 60TX11-F145X.
- ** Replace Lock-Out Limit with 36TXV12 - 121° C To Reset Lock-Out Limit, Cycle Power To The Heater With Either The Circuit Breaker Or The Thermostat.
- *** 24VAC, Class 2 power source must not exceed 26.4VAC under any primary input voltage condition per UL/NEC.
- **** Power supply wiring per NEC & Local Codes. Suitable for at least 75°C. Use copper conductor wiring only.

Control Wiring -----
 Power Wiring _____
 Field Wiring _____

Model	<u>WXD-3005X</u>
Serial #	_____
Tag -	_____
Kilowatts	<u>30.0</u>
Volts-Ph-Hz	<u>480/3Y/60</u>
Control Volts	<u>24.0</u>
Steps	<u>2</u>
Heater Amps	<u>36.08</u>
Fuse Size	<u>50</u>

WXD3005X

Rev. by : M. REEVES
 Date : 05/10/21

WARREN TECHNOLOGY