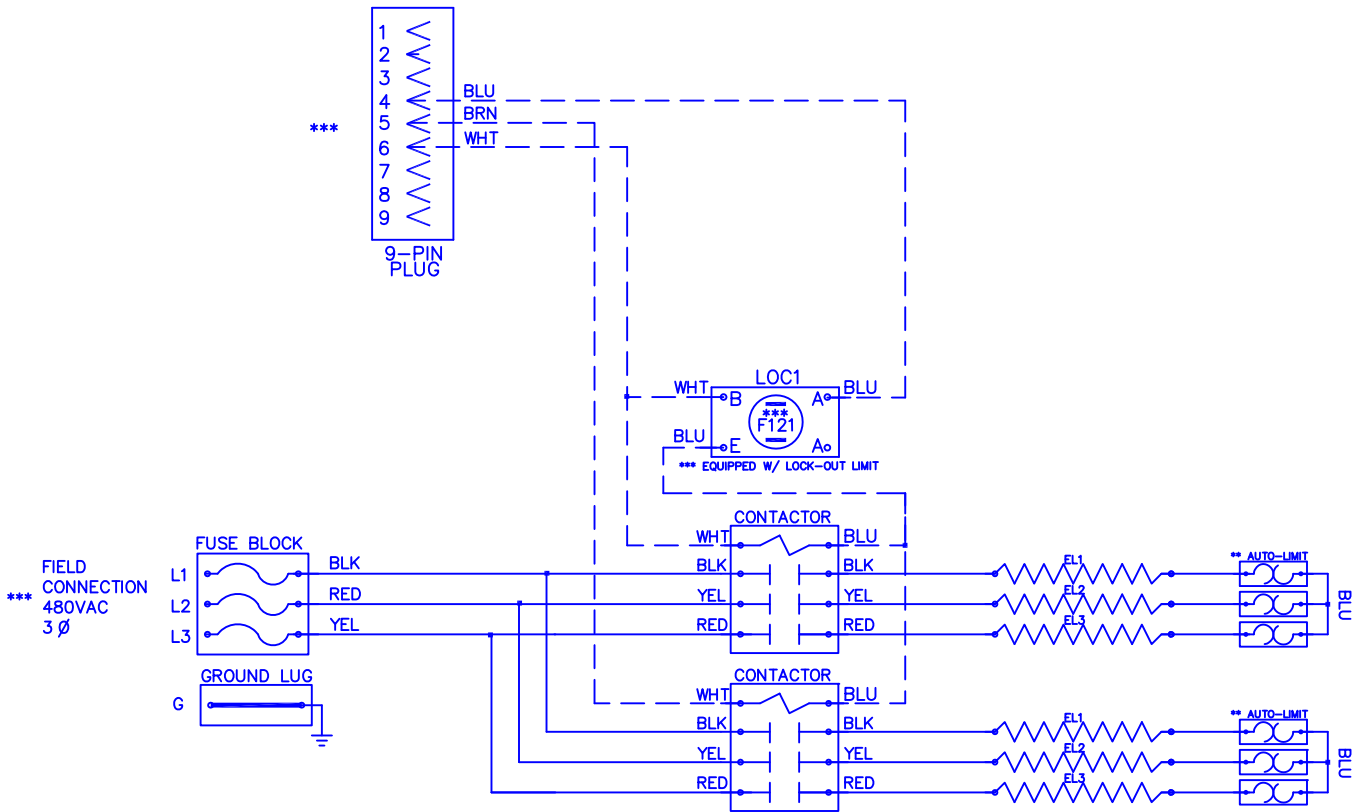


# WXD — 3005



**NOTE :**

- \* Replace Auto-Reset with Therm-O-Disc type 60TX11-F145X.
- \*\* Replace Lock-Out Limit with 36TXV12 - 121° C To Reset Lock-Out Limit, Cycle Power To The Heater With Either The Circuit Breaker Or The Thermostat.
- \*\*\* 24VAC, Class 2 power source must not exceed 26.4VAC under any primary input voltage condition per UL/NEC.
- \*\*\*\* Power supply wiring per NEC & Local Codes. Suitable for at least 75°C. Use copper conductor wiring only.

Control Wiring      -----  
 Power Wiring        \_\_\_\_\_  
 Field Wiring          \_\_\_\_\_

Model	WXD-3005
Serial #	_____
Tag -	_____
Kilowatts	30.0
Volts-Ph-Hz	480/3Y/60
Control Volts	24.0
Steps	2
Heater Amps	36.08
Fuse Size	50

WXD3005

Rev. by : M. REEVES  
 Date : 05/10/21

# WARREN TECHNOLOGY