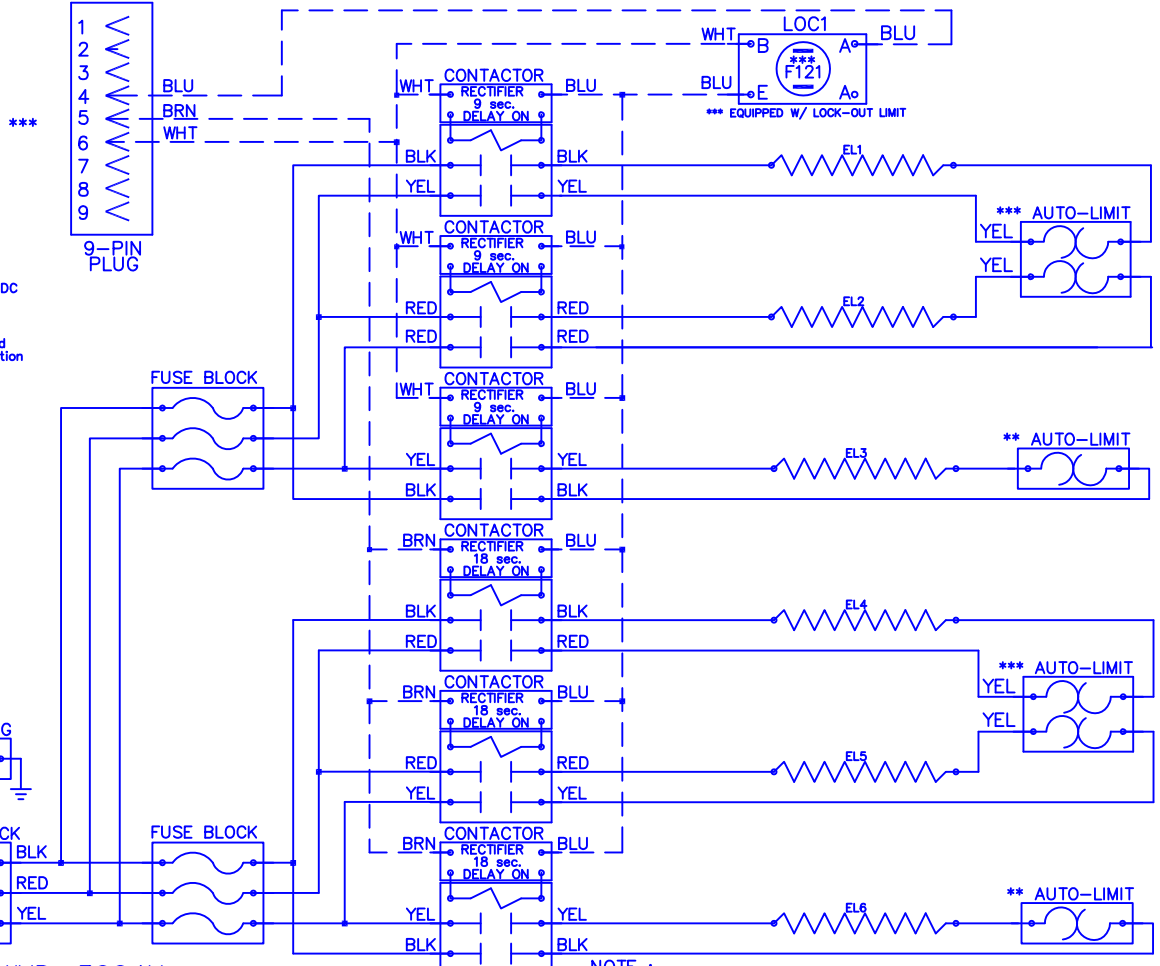


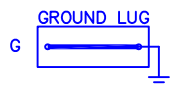
# WXD — 3004X



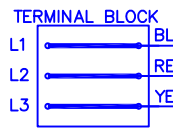
CAUTION: Relays utilize 22VDC coils with AC to DC rectifiers. Do not use relay without rectifier. Replace with factory authorized parts only.

24VAC Class 2 power source must not exceed 26.4VAC under any primary input voltage condition per UL/NEC

LOC1  
WHT B A0 BLU  
BLU E A0  
\*\*\* EQUIPPED W/ LOCK-OUT LIMIT



FIELD CONNECTION  
230VAC  
3 Ø



Model	WXD-3004X
Serial #	_____
Tag -	_____
Kilowatts	30
Volts-Ph-Hz	240/3/∧/60
Control Volts	24.0
Steps	2
Heater Amps	72.1
Fuse Size	50/50

NOTE :

CAUTION - Contactors utilize 22-28VDC coils with AC to DC rectifiers. Do not use contactor without rectifier. Replace with factory authorized parts only.

-Contactor must always utilize AC-DC Rectifier with Time Delay as shown.

\*\* Replace Auto-Reset with Therm-O-Disc type 60TX11-L145/2PL-145.

\*\*\* Replace Lock-Out Limit with 36TXV12 - 121° C To Reset Lock-Out Limit, Cycle Power To The Heater With Either The Circuit Breaker Or The Thermostat.

\*\*\*\* 24VAC, Class 2 power source must not exceed 26.4VAC under any primary input voltage condition per UL/NEC.

\*\*\*\*\* Power supply wiring per NEC & Local Codes. Suitable for at least 75°C. Use copper conductor wiring only.

Control Wiring \_\_\_\_\_  
Power Wiring \_\_\_\_\_  
Field Wiring \_\_\_\_\_

WXD3004X  
Rev. by : M. REEVES  
Date : 05/10/21

## WARREN TECHNOLOGY