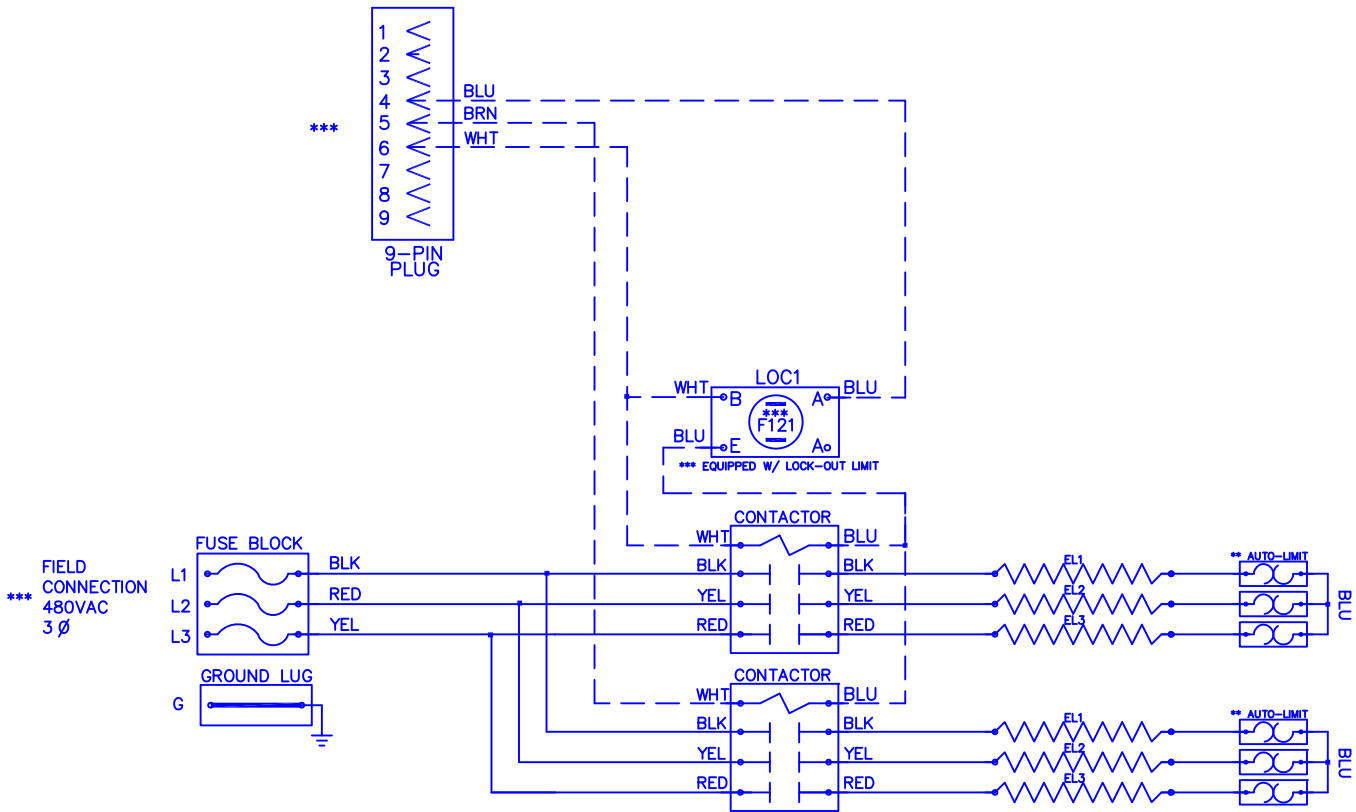


# WXD — 2005X



**NOTE :**

- \* Replace Auto-Reset with Therm-O-Disc type 60TX11-F145X.
- \*\* Replace Lock-Out Limit with 36TXV12 - 121° C To Reset Lock-Out Limit, Cycle Power To The Heater With Either The Circuit Breaker Or The Thermostat.
- \*\*\* 24VAC, Class 2 power source must not exceed 26.4VAC under any primary input voltage condition per UL/NEC.
- \*\*\*\* Power supply wiring per NEC & Local Codes. Suitable for at least 75°C. Use copper conductor wiring only.

Control Wiring      -----  
 Power Wiring        \_\_\_\_\_  
 Field Wiring         \_\_\_\_\_

Model	<u>WXD-2005X</u>
Serial #	_____
Tag -	_____
Kilowatts	<u>20.0</u>
Volts-Ph-Hz	<u>480/3Y/60</u>
Control Volts	<u>24.0</u>
Steps	<u>2</u>
Heater Amps	<u>24.06</u>
Fuse Size	<u>35</u>

WXD2005X

Rev. by : M. REEVES  
 Date : 05/10/21

# WARREN TECHNOLOGY