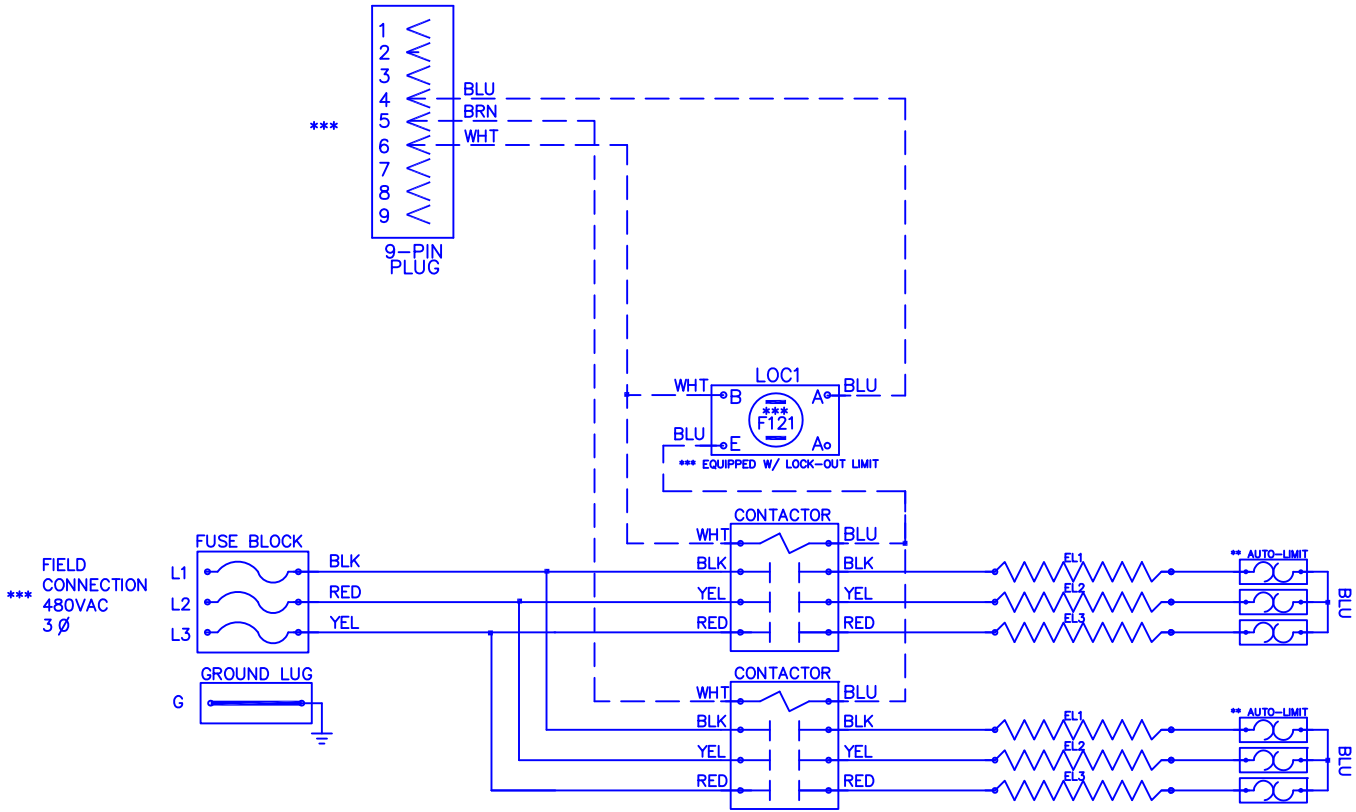


WXD

2005



NOTE :

- * Replace Auto-Reset with Therm-O-Disc type 60TX11-F145X.
- ** Replace Lock-Out Limit with 36TXV12 - 121° C To Reset Lock-Out Limit, Cycle Power To The Heater With Either The Circuit Breaker Or The Thermostat.
- *** 24VAC, Class 2 power source must not exceed 26.4VAC under any primary input voltage condition per UL/NEC.
- **** Power supply wiring per NEC & Local Codes. Suitable for at least 75°C. Use copper conductor wiring only.

Control Wiring -----
 Power Wiring _____
 Field Wiring _____

Model	WXD-2005
Serial #	_____
Tag -	_____
Kilowatts	20.0
Volts-Ph-Hz	480/3Y/60
Control Volts	24.0
Steps	2
Heater Amps	24.06
Fuse Size	35

WXD2005

Rev. by : M. REEVES
 Date : 05/10/21

WARREN TECHNOLOGY