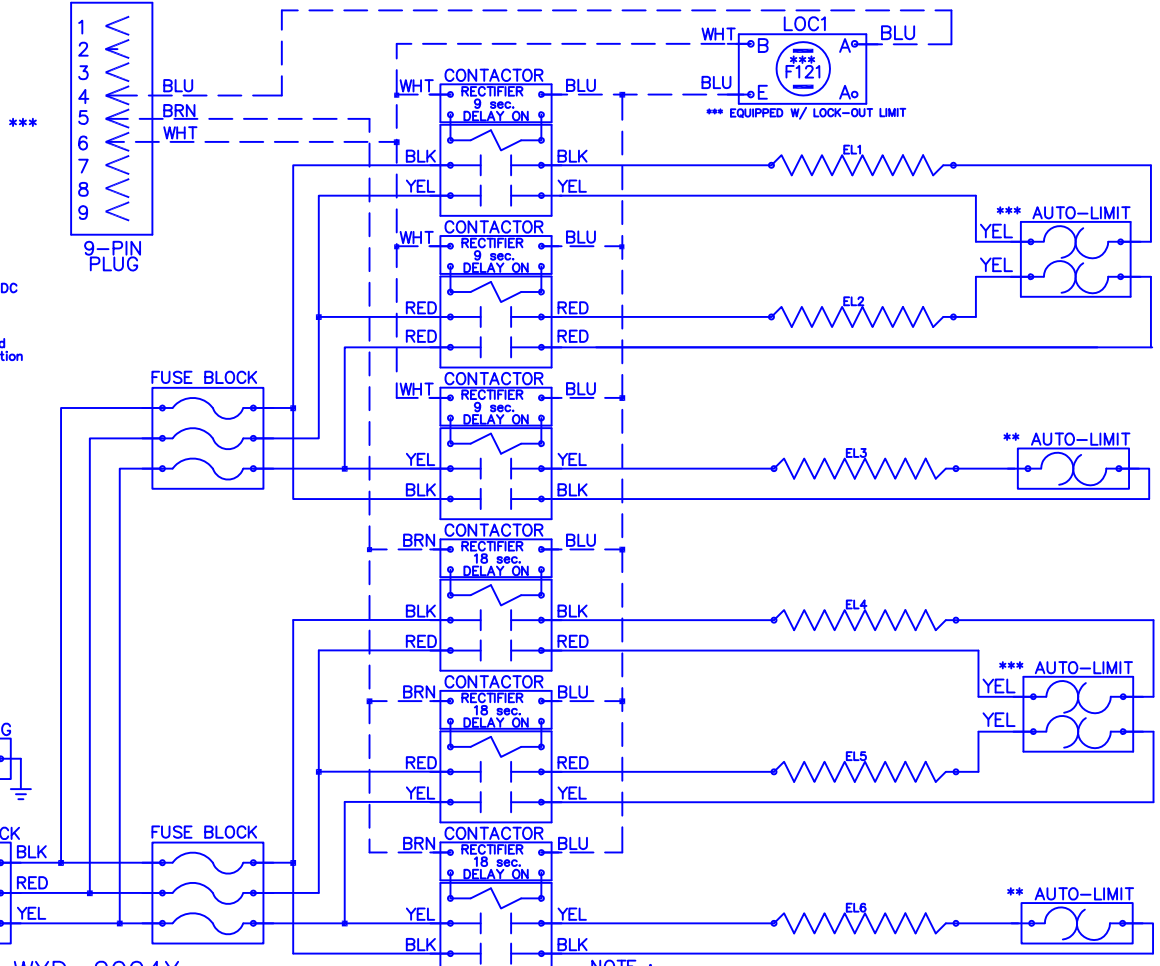


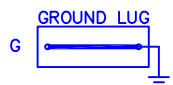
WXD — 2004X



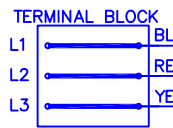
CAUTION: Relays utilize 22VDC coils with AC to DC rectifiers. Do not use relay without rectifier. Replace with factory authorized parts only.

24VAC Class 2 power source must not exceed 26.4VAC under any primary input voltage condition per UL/NEC

LOC1
WHT B
BLU A
BLU E
A_o
A_o
*** EQUIPPED W/ LOCK-OUT LIMIT



FIELD CONNECTION
230VAC
3 ∅



Model	WXD-2004X
Serial #	_____
Tag -	_____
Kilowatts	20.0
Volts-Ph-Hz	240/3/∧/60
Control Volts	24.0
Steps	2
Heater Amps	48.1
Fuse Size	35/35

NOTE :

CAUTION - Contactors utilize 22-28VDC coils with AC to DC rectifiers. Do not use contactor without rectifier. Replace with factory authorized parts only.

-Contactor must always utilize AC-DC Rectifier with Time Delay as shown.

** Replace Auto-Reset with Therm-O-Disc type 60TX11-L145/2PL-145.

*** Replace Lock-Out Limit with 36TXV12 - 121° C To Reset Lock-Out Limit, Cycle Power To The Heater With Either The Circuit Breaker Or The Thermostat.

**** 24VAC, Class 2 power source must not exceed 26.4VAC under any primary input voltage condition per UL/NEC.

***** Power supply wiring per NEC & Local Codes. Suitable for at least 75°C. Use copper conductor wiring only.

Control Wiring -----

Power Wiring _____

Field Wiring _____

WXD2004X

Rev. by : M. REEVES
Date : 05/10/21

WARREN TECHNOLOGY