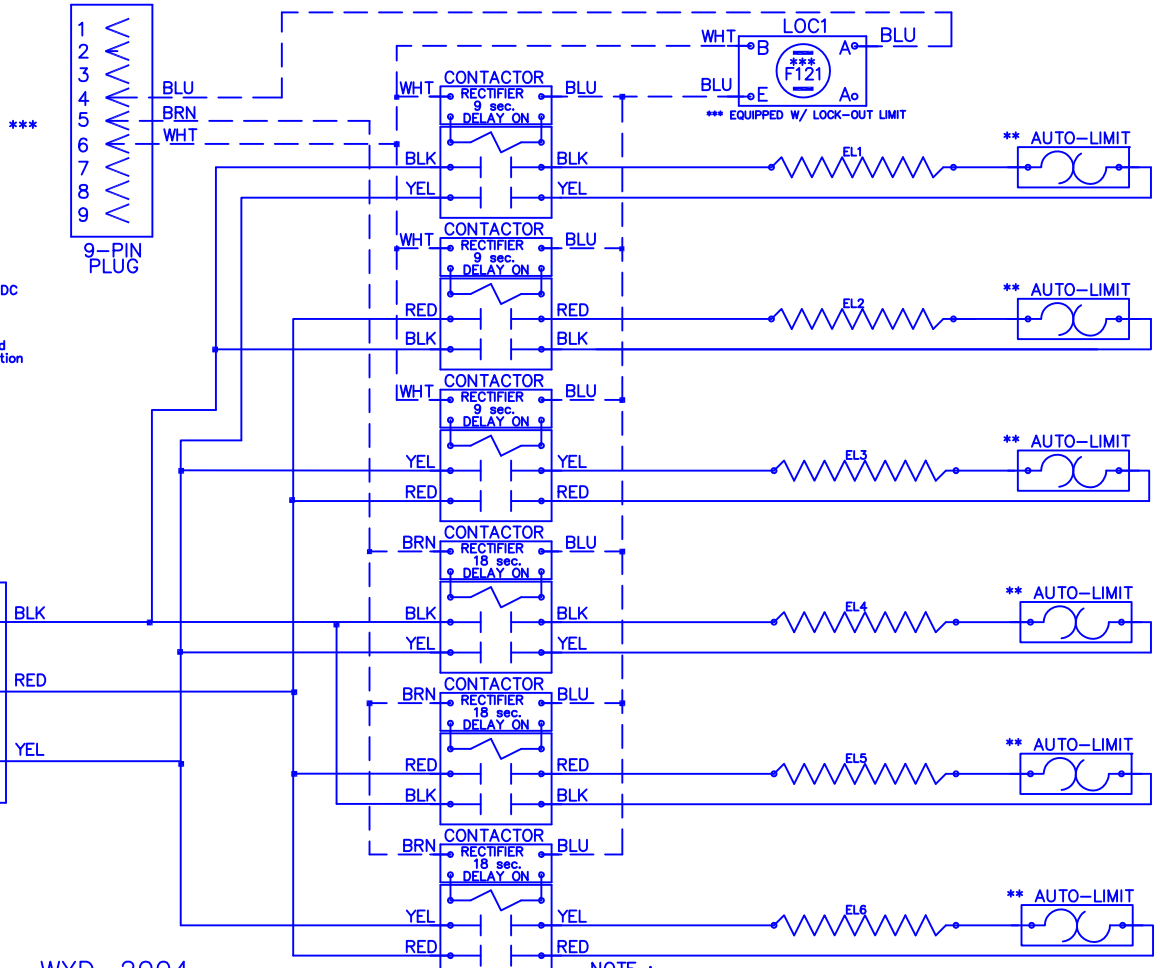


WXD — 2004



CAUTION: Relays utilize 22VDC coils with AC to DC rectifiers. Do not use relay without rectifier. Replace with factory authorized parts only.

24VAC Class 2 power source must not exceed 26.4VAC under any primary input voltage condition per UL/NEC

FIELD CONNECTION
230VAC
3 φ

FIELD CONNECTION
230VAC
3 φ

Model	WXD-2004
Serial #	_____
Tag -	_____
Kilowatts	20.0
Volts-Ph-Hz	240/3/60
Control Volts	24.0
Steps	2
Heater Amps	48.1
Fuse Size	35/35

WXD2004X

NOTE :

CAUTION - Contactors utilize 22-28VDC coils with AC to DC rectifiers. Do not use contactor without rectifier. Replace with factory authorized parts only.

-Contactor must always utilize AC-DC Rectifier with Time Delay as shown.

** Replace Auto-Reset with Therm-O-Disc type 60TX11-F145

*** Replace Lock-Out Limit with 36TXV12 - 121° C To Reset Lock-Out Limit, Cycle Power To The Heater With Either The Circuit Breaker Or The Thermostat.

**** 24VAC, Class 2 power source must not exceed 26.4VAC under any primary input voltage condition per UL/NEC.

***** Power supply wiring per NEC & Local Codes.

Suitable for at least 75°C. Use copper conductor wiring only.

Control Wiring - - - - -
Power Wiring _____
Field Wiring _____

Rev. by : M. REEVES
Date : 05/10/21

WARREN TECHNOLOGY