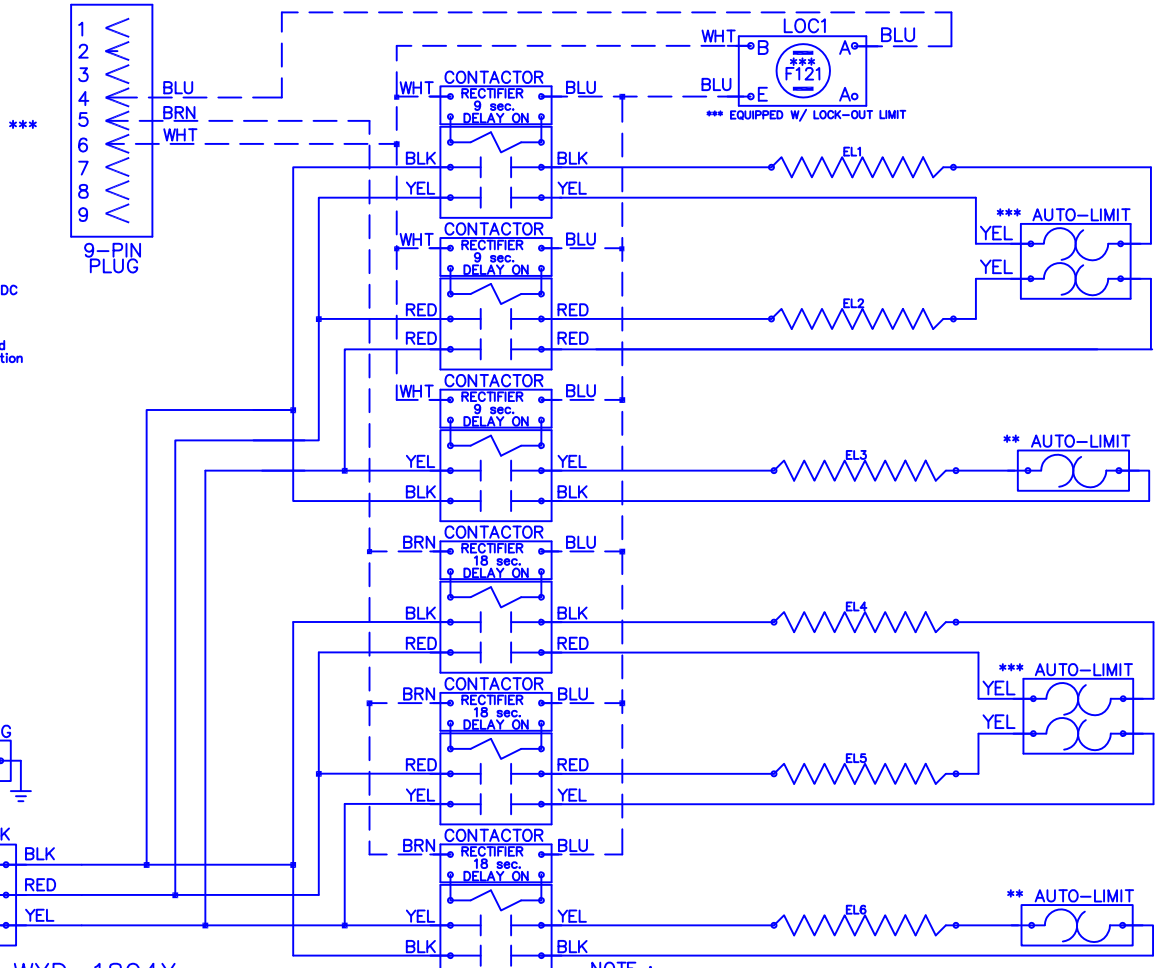
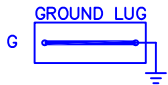


WXD — 1804X



CAUTION: Relays utilize 22VDC coils with AC to DC rectifiers. Do not use relay without rectifier. Replace with factory authorized parts only.

24VAC Class 2 power source must not exceed 26.4VAC under any primary input voltage condition per UL/NEC



FIELD CONNECTION
230VAC
3 Ø

Model	WXD-1804X
Serial #	_____
Tag -	_____
Kilowatts	18.0
Volts-Ph-Hz	240/3/60
Control Volts	24.0
Steps	2
Heater Amps	43.3
Fuse Size	60

NOTE :

CAUTION - Contactors utilize 22-28VDC coils with AC to DC rectifiers. Do not use contactor without rectifier. Replace with factory authorized parts only.

-Contactor must always utilize AC-DC Rectifier with Time Delay as shown.

** Replace Auto-Reset with Therm-O-Disc type 60TX11-L145/2PL-145.

*** Replace Lock-Out Limit with 36TXV12 - 121° C To Reset Lock-Out Limit, Cycle Power To The Heater With Either The Circuit Breaker Or The Thermostat.

**** 24VAC, Class 2 power source must not exceed 26.4VAC under any primary input voltage condition per UL/NEC.

***** Power supply wiring per NEC & Local Codes. Suitable for at least 75°C. Use copper conductor wiring only.

Control Wiring -----
 Power Wiring _____
 Field Wiring _____

WXD1804X

Rev. by : M. REEVES
 Date : 05/10/21

WARREN TECHNOLOGY