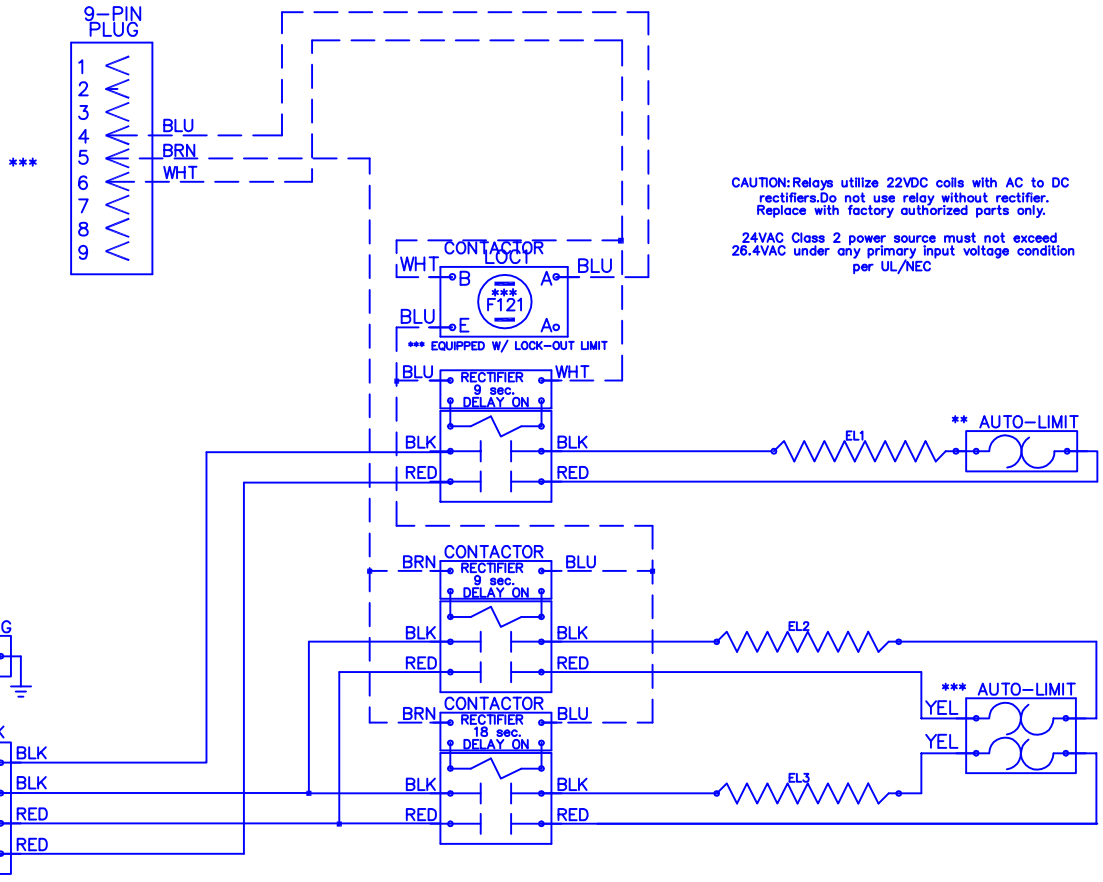


# WXD — 1502X



CAUTION: Relays utilize 22VDC coils with AC to DC rectifiers. Do not use relay without rectifier. Replace with factory authorized parts only.

24VAC Class 2 power source must not exceed 26.4VAC under any primary input voltage condition per UL/NEC

\*\*\*\*  
FIELD CONNECTION  
240VAC  
1 Ø

Model	_____
Serial #	_____
Tag -	_____
Kilowatts	15
Volts-Ph-Hz	240/1/60
Control Volts	24.0
Steps	2
Heater Amps	62.5
Fuse Size	60/30

NOTE :

CAUTION - Contactors utilize 22-28VDC coils with AC to DC rectifiers. Do not use contactor without rectifier. Replace with factory authorized parts only.

-Contactor must always utilize AC-DC Rectifier with Time Delay as shown.

\*\* Replace Auto-Reset with Therm-O-Disc type 60TX11-L145 / 2PL-145.

\*\*\* Replace Lock-Out Limit with 36TXV12 - 121° C To Reset Lock-Out Limit, Cycle Power To The Heater With Either The Circuit Breaker Or The Thermostat.

\*\*\*\* 24VAC, Class 2 power source must not exceed 26.4VAC under any primary input voltage condition per UL/NEC.

\*\*\*\*\* Power supply wiring per NEC & Local Codes. Suitable for at least 75°C. Use copper conductor wiring only.

Control Wiring \_\_\_\_\_

Power Wiring \_\_\_\_\_

Field Wiring \_\_\_\_\_

WXD1502X

Rev. by : M. REEVES  
Date : 05/10/21

## WARREN TECHNOLOGY