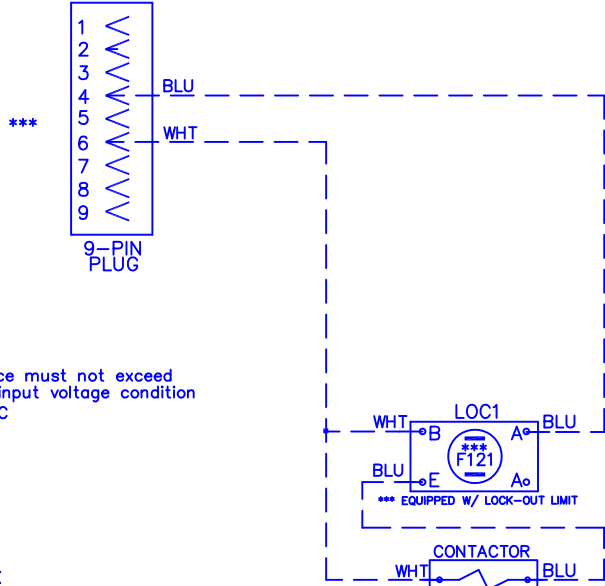
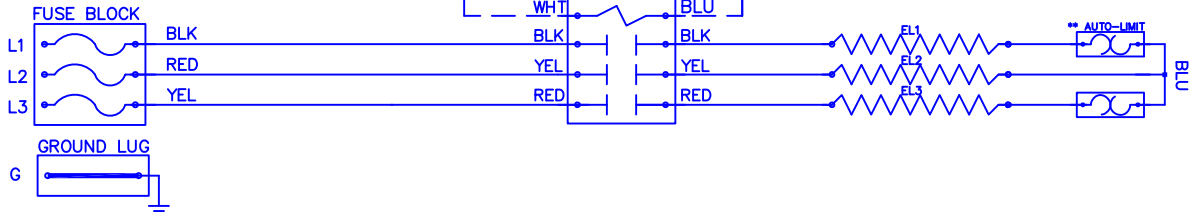


WXD — 0505X



24VAC Class 2 power source must not exceed 26.4VAC under any primary input voltage condition per UL/NEC

FIELD CONNECTION
480VAC
3 ∅



Model	WXD-0505X
Serial #	_____
Tag -	_____
Kilowatts	5.0
Volts-Ph-Hz	480/3Y/60
Control Volts	24.0
Steps	1
Heater Amps	6.01
Fuse Size	15

NOTE :

- ** Replace Lock-Out Limit with 36TXV12 - 121° C
To Reset Lock-Out Limit, Cycle Power To The Heater
With Either The Circuit Breaker Or The Thermostat.
- *** 24VAC, Class 2 power source must not
exceed 26.4VAC under any primary input voltage
condition per UL/NEC.
- **** Power supply wiring per NEC & Local Codes.
Suitable for at least 75°C.
Use copper conductor wiring only.

Control Wiring -----
Power Wiring _____
Field Wiring _____

WXD0505X
Rev. by : M. REEVES
Date : 05/10/21

WARREN TECHNOLOGY