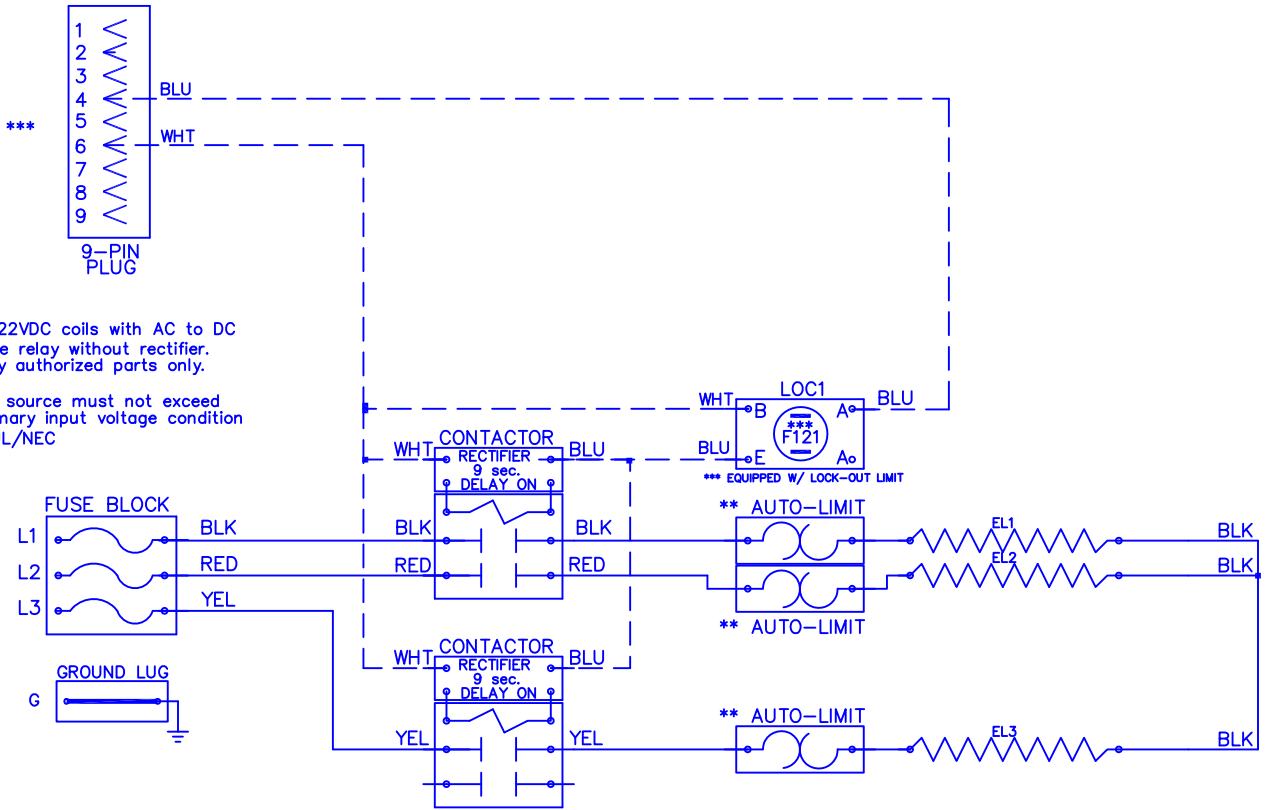


WXD — 0504X



Model	<u>WXD-0504X</u>
Serial #	<u> </u>
Tag -	<u> </u>
Kilowatts	<u>5.0</u>
Volts-Ph-Hz	<u>240/3/△/60</u>
Control Volts	<u>24.0</u>
Steps	<u>2</u>
Heater Amps	<u>12.02</u>
Fuse Size	<u>20</u>

NOTE :

CAUTION - Contactors utilize 22-28VDC coils with AC to DC rectifiers. Do not use contactor without rectifier. Replace with factory authorized parts only.

-Contactor must always utilize AC-DC Rectifier with Time Delay as shown.

** Replace Auto-Reset with Therm-O-Disc type 60TX11-L145/2PL-145.

*** Replace Lock-Out Limit with 36TXV12 - 121° C To Reset Lock-Out Limit, Cycle Power To The Heater With Either The Circuit Breaker Or The Thermostat.

**** 24VAC, Class 2 power source must not exceed 26.4VAC under any primary input voltage condition per UL/NEC.

***** Power supply wiring per NEC & Local Codes. Suitable for at least 75°C. Use copper conductor wiring only.

Control Wiring

Power Wiring

Field Wiring

WXD0504X

Rev. by : M. REEVES
Date : 05/10/21

WARREN TECHNOLOGY