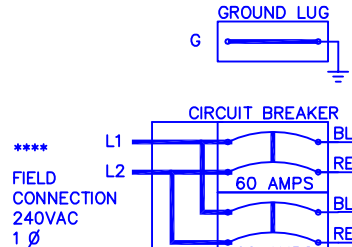
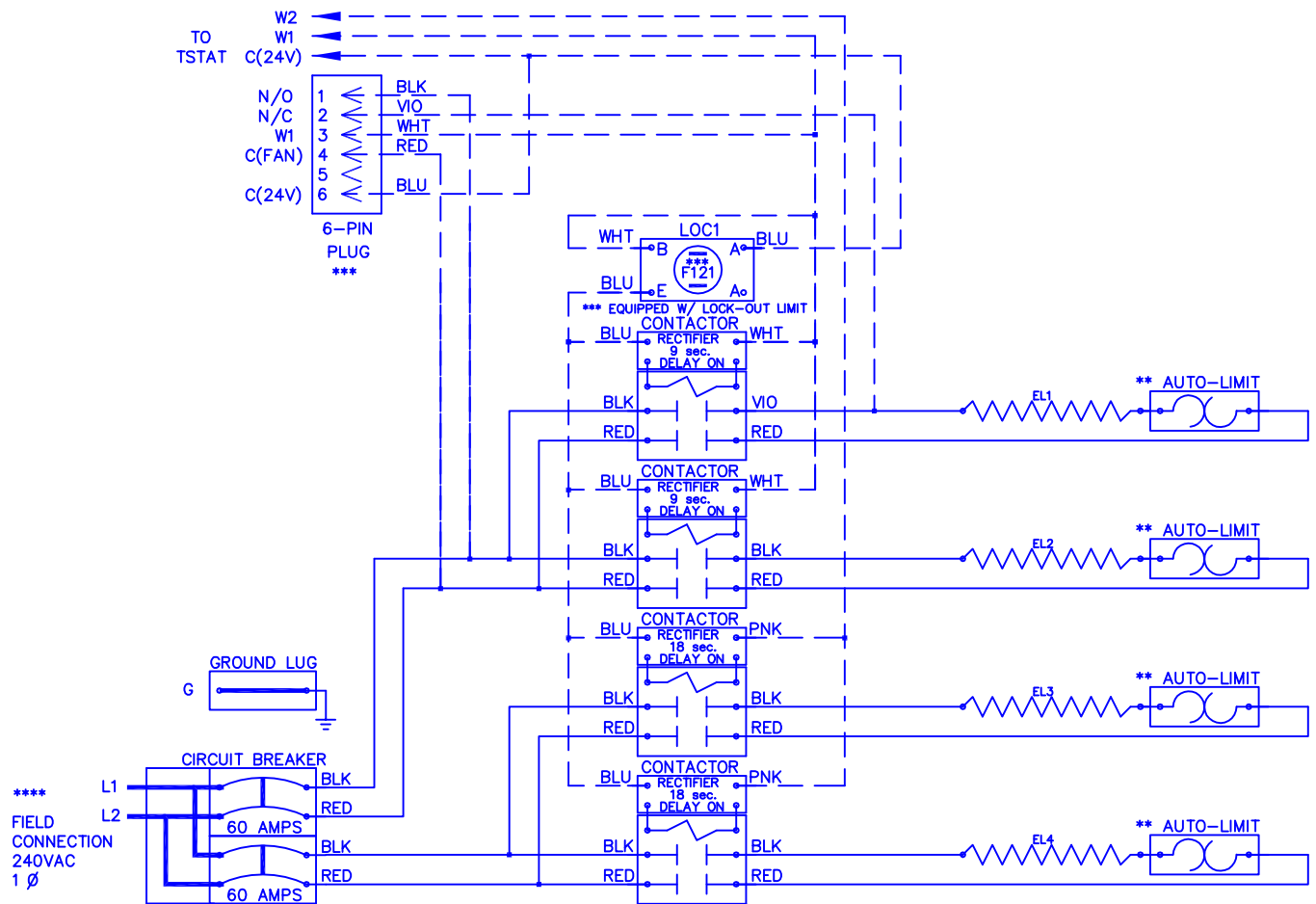


# WEM — 2002S



\*\*\*\*  
FIELD CONNECTION  
240VAC  
1 Ø

Model	_____
Serial #	_____
Tag -	_____
Kilowatts	19.2
Volts-Ph-Hz	240/1/60
Control Volts	24.0
Steps	2
Heater Amps	40.0/40.0
Circuit Breaker	60/60

NOTE :  
CAUTION - Contactors utilize 22-28VDC coils with AC to DC rectifiers. Do not use contactor without rectifier. Replace with factory authorized parts only.  
-Contactor must always utilize AC-DC Rectifier with Time Delay as shown.  
\*\* Replace Auto-Reset with Therm-O-Disc type 60TX11-L165.  
\*\*\* Replace Lock-Out Limit with 36TXV12 - 121° C To Reset Lock-Out Limit, Cycle Power To The Heater With Either The Circuit Breaker Or The Thermostat.  
\*\*\*\* 24VAC, Class 2 power source must not exceed 26.4VAC under any primary input voltage condition per UL/NEC.  
\*\*\*\*\* Power supply wiring per NEC & Local Codes. Suitable for at least 75° C.  
Use copper conductor wiring only.

Control Wiring \_\_\_\_\_  
Power Wiring \_\_\_\_\_  
Field Wiring \_\_\_\_\_

WEM2002S

Rev. by : M. REEVES  
Date : 02/14/20

## WARREN TECHNOLOGY