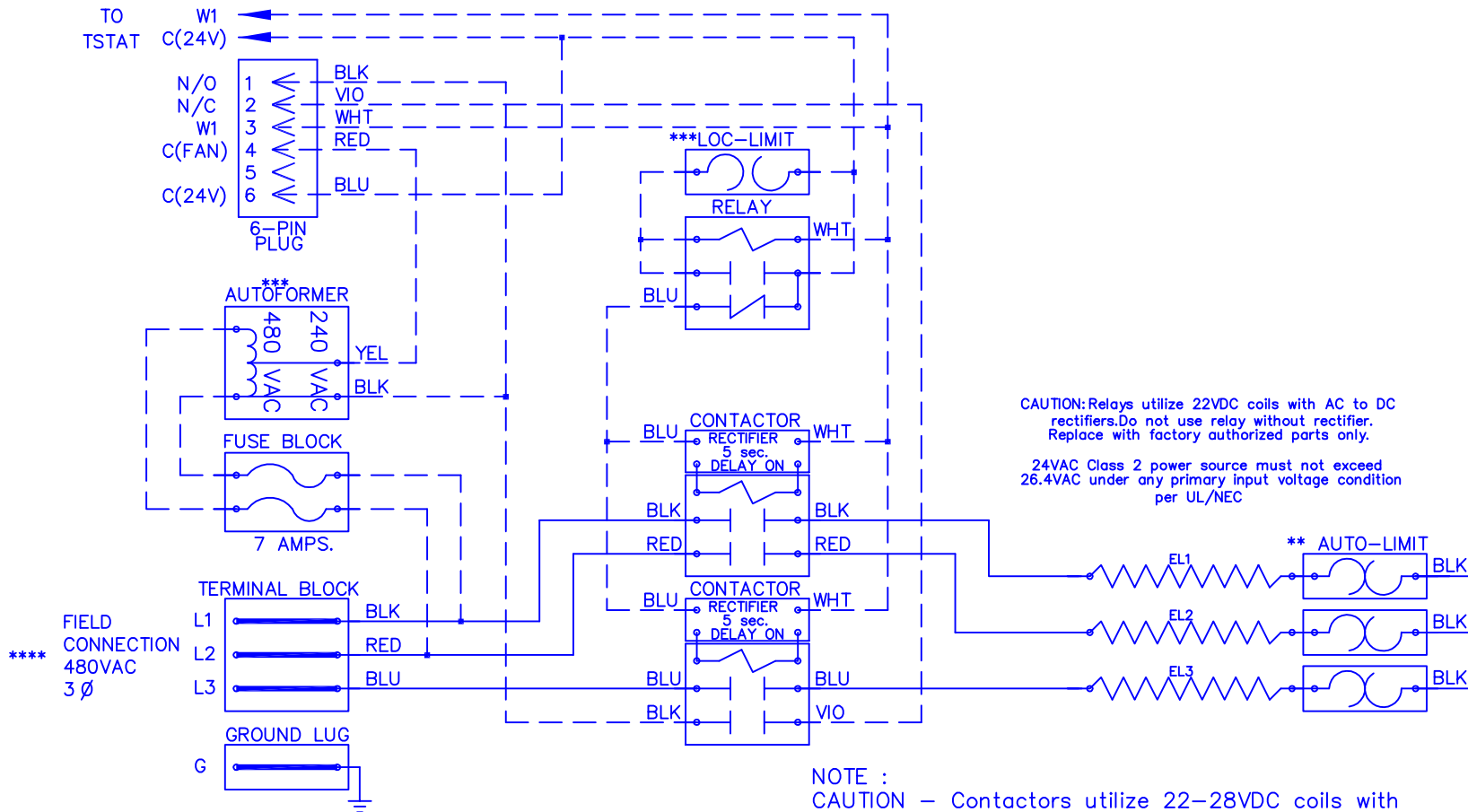


WEM — 1005A



CAUTION: Relays utilize 22VDC coils with AC to DC rectifiers. Do not use relay without rectifier. Replace with factory authorized parts only.

24VAC Class 2 power source must not exceed 26.4VAC under any primary input voltage condition per UL/NEC

NOTE :
 CAUTION - Contactors utilize 22-28VDC coils with AC to DC rectifiers. Do not use contactor without rectifier. Replace with factory authorized parts only.
 - Contactor must always utilize AC-DC Rectifier with Time Delay as shown.

** Replace Auto-Reset with Therm-O-Disc type 60TX11F-165X.
 *** Replace Lock-Out Limit with 36TXV12 - 150°C To Reset Lock-Out Limit, Cycle Power To The Heater With Either The Circuit Breaker Or The Thermostat.
 **** 24VAC, Class 2 power source must not exceed 26.4VAC under any primary input voltage condition per UL/NEC.
 ***** Power supply wiring per NEC & Local Codes. Suitable for at least 75°C.
 Use copper conductor wiring only.

Control Wiring -----
 Power Wiring _____
 Field Wiring _____

Model	WEM-1005A
Serial #	_____
Tag -	_____
Kilowatts	9.6
Volts-Ph-Hz	480/3Y/60
Control Volts	24.0
Steps	1
Heater Amps	11.5

WEM1005A

Rev. by : M. REEVES
 Date : 08/08/18

WARREN TECHNOLOGY