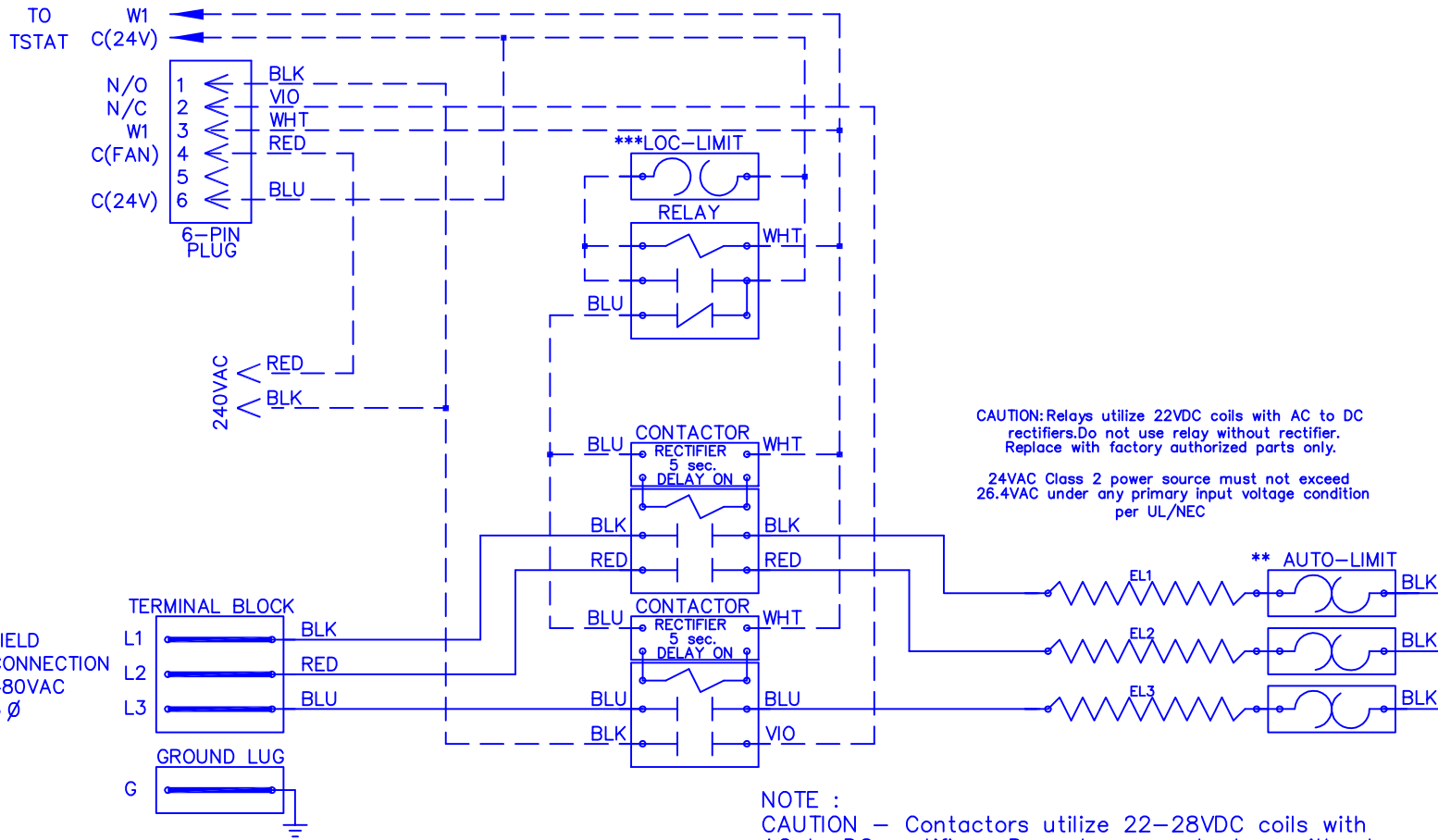


WEM

1005



CAUTION: Relays utilize 22VDC coils with AC to DC rectifiers. Do not use relay without rectifier. Replace with factory authorized parts only.

24VAC Class 2 power source must not exceed 26.4VAC under any primary input voltage condition per UL/NEC

NOTE :

CAUTION - Contactors utilize 22-28VDC coils with AC to DC rectifiers. Do not use contactor without rectifier. Replace with factory authorized parts only.

- Contactor must always utilize AC-DC Rectifier with Time Delay as shown.

** Replace Auto-Reset with Therm-O-Disc type 60TX11F-165X.

*** Replace Lock-Out Limit with 36TXV12 - 150°C To Reset Lock-Out Limit, Cycle Power To The Heater With Either The Circuit Breaker Or The Thermostat.

**** 24VAC, Class 2 power source must not exceed 26.4VAC under any primary input voltage condition per UL/NEC.

***** Power supply wiring per NEC & Local Codes. Suitable for at least 75°C. Use copper conductor wiring only.

Model	WEM-1005
Serial #	_____
Tag -	_____
Kilowatts	9.6
Volts-Ph-Hz	480/3Y/60
Control Volts	24.0
Steps	1
Heater Amps	11.5

Control Wiring - - - - -

Power Wiring _____

Field Wiring _____

WEM1005

Rev. by : M. REEVES
Date : 08/08/18

WARREN TECHNOLOGY