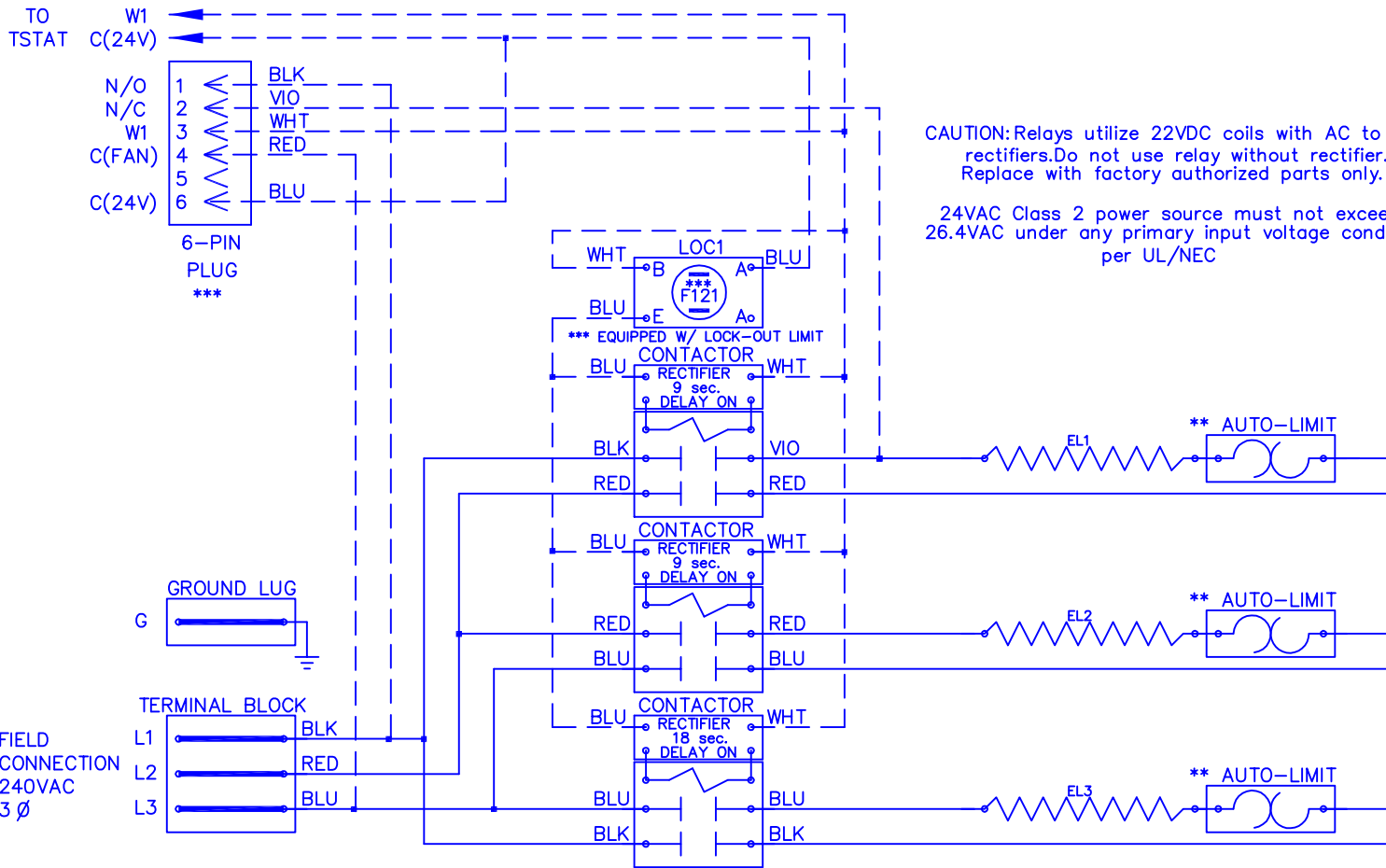


W E M

1 0 0 4



CAUTION: Relays utilize 22VDC coils with AC to DC rectifiers. Do not use relay without rectifier. Replace with factory authorized parts only.

24VAC Class 2 power source must not exceed 26.4VAC under any primary input voltage condition per UL/NEC

FIELD CONNECTION
240VAC
3 Ø

| | |
|---------------|-------|
| Model | _____ |
| Serial # | _____ |
| Tag - | _____ |
| Kilowatts | _____ |
| Volts-Ph-Hz | _____ |
| Control Volts | _____ |
| Steps | _____ |
| Heater Amps | _____ |

NOTE :

CAUTION - Contactors utilize 22-28VDC coils with AC to DC rectifiers. Do not use contactor without rectifier. Replace with factory authorized parts only.

-Contactor must always utilize AC-DC Rectifier with Time Delay as shown.

** Replace Auto-Reset with Therm-O-Disc type 60TX11-L165.

*** Replace Lock-Out Limit with 36TXV12 - 121° C To Reset Lock-Out Limit, Cycle Power To The Heater With Either The Circuit Breaker Or The Thermostat.

**** 24VAC, Class 2 power source must not exceed 26.4VAC under any primary input voltage condition per UL/NEC.

***** Power supply wiring per NEC & Local Codes. Suitable for at least 75°C. Use copper conductor wiring only.

Control Wiring _____

Power Wiring _____

Field Wiring _____

WEM1004

Rev. by : M. REEVES
Date : 05/05/20

WARREN TECHNOLOGY