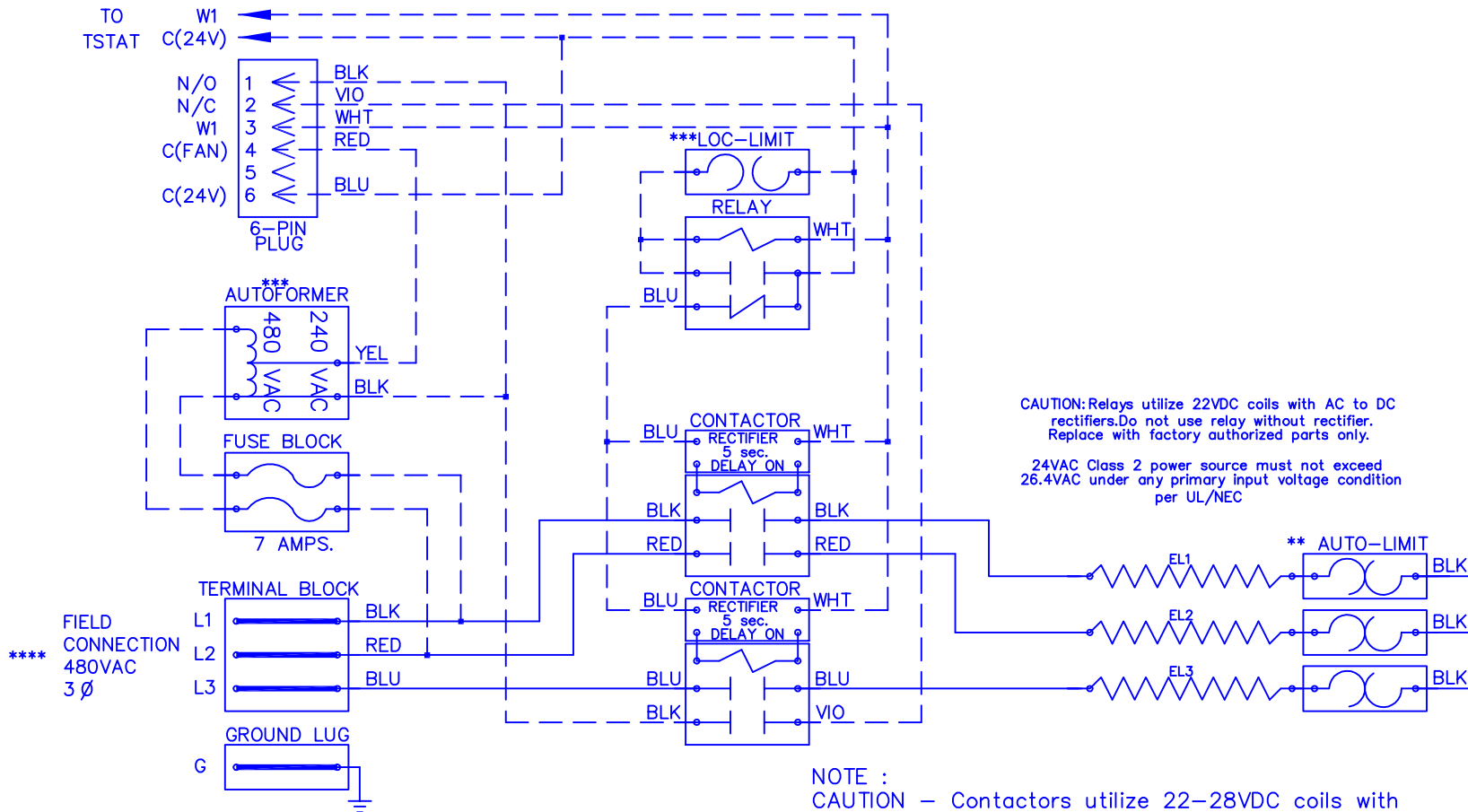


WEM — 0805A



CAUTION: Relays utilize 22VDC coils with AC to DC rectifiers. Do not use relay without rectifier. Replace with factory authorized parts only.

24VAC Class 2 power source must not exceed 26.4VAC under any primary input voltage condition per UL/NEC

NOTE :

CAUTION – Contactors utilize 22–28VDC coils with AC to DC rectifiers. Do not use contactor without rectifier. Replace with factory authorized parts only.

– Contactor must always utilize AC–DC Rectifier with Time Delay as shown.

** Replace Auto–Reset with Therm–O–Disc type 60TX11F–165X.

*** Replace Lock–Out Limit with 36TXV12 – 150°C To Reset Lock–Out Limit, Cycle Power To The Heater With Either The Circuit Breaker Or The Thermostat.

**** 24VAC, Class 2 power source must not exceed 26.4VAC under any primary input voltage condition per UL/NEC.

***** Power supply wiring per NEC & Local Codes. Suitable for at least 75°C. Use copper conductor wiring only.

Control Wiring -----

Power Wiring _____

Field Wiring _____

Model	WEM-0805A
Serial #	_____
Tag -	_____
Kilowatts	7.68
Volts-Ph-Hz	480/3Y/60
Control Volts	24.0
Steps	1
Heater Amps	9.2

WEM0805A

Rev. by : M. REEVES
Date : 08/23/18

WARREN TECHNOLOGY