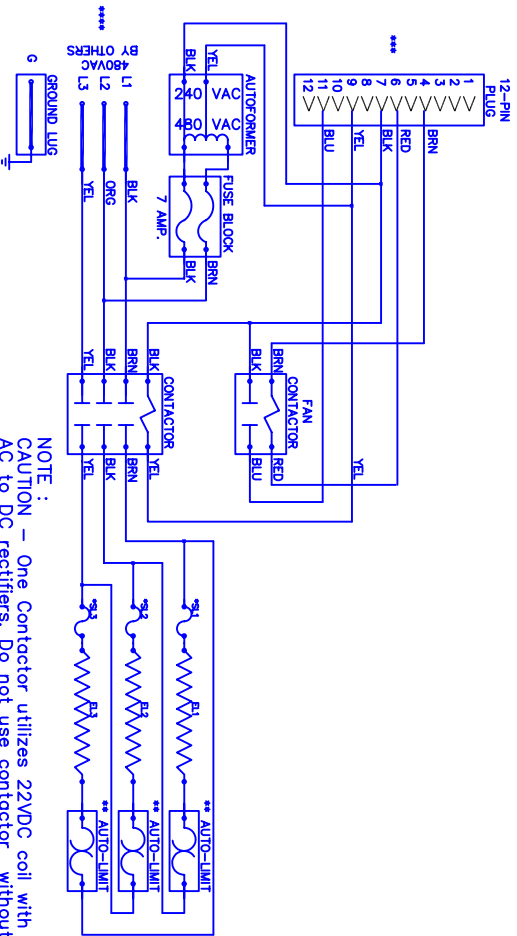


W4Y-0805A



NOTE :

CAUTION - One Contactor utilizes 22VDC coil with AC to DC rectifiers. Do not use contactor without rectifier. Replace with factory authorized parts only.
 - Contactor must always utilize AC-DC Rectifier with Time Delay as shown.

*Replace service loops with SL075A
 ** Replace Auto-Reset with Therm-O-Disc type 601X01-F165X.

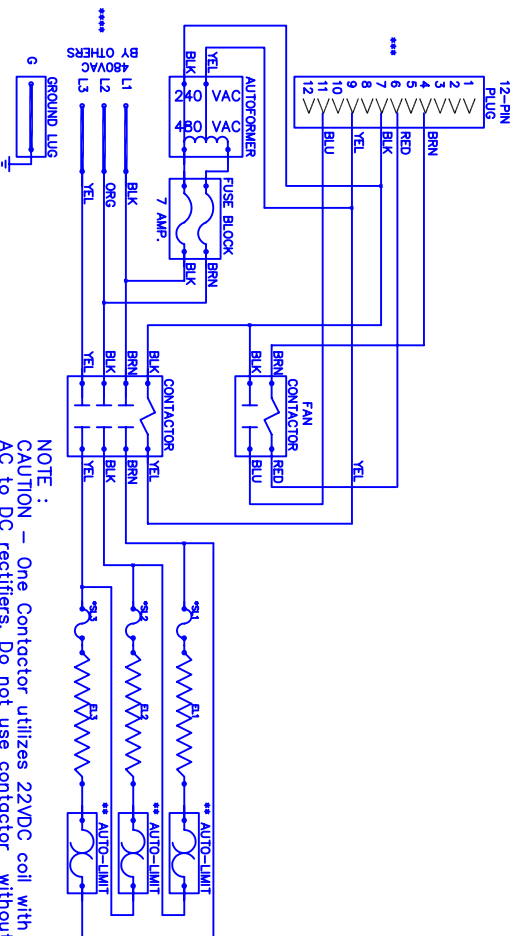
*** 24VAC, Class 2 power source must not exceed 26.4VAC under any primary input voltage condition per UL/NEC.
 **** Power supply wiring per NEC & Local Codes. Suitable for at least 75°C.
 Use copper conductor wiring only.

Control Wiring _____
 Power Wiring _____
 Field Wiring _____

Model # W4Y-0805A
 Serial # _____
 Tag # _____
 Kilowatts 8.0
 Volts-Ph-Hz 480/3/60
 Control Volts 24.0
 Steps 1
 Heater Amps 9.6

Rev. By : M. REEVES
 Date : 02/27/15
WARREN TECHNOLOGY

W4Y-0805A



NOTE :

CAUTION - One Contactor utilizes 22VDC coil with AC to DC rectifiers. Do not use contactor without rectifier. Replace with factory authorized parts only.
 - Contactor must always utilize AC-DC Rectifier with Time Delay as shown.

*Replace service loops with SL075A
 ** Replace Auto-Reset with Therm-O-Disc type 601X01-F165X.

*** 24VAC, Class 2 power source must not exceed 26.4VAC under any primary input voltage condition per UL/NEC.
 **** Power supply wiring per NEC & Local Codes. Suitable for at least 75°C.
 Use copper conductor wiring only.

Control Wiring _____
 Power Wiring _____
 Field Wiring _____

Model # W4Y-0805A
 Serial # _____
 Tag # _____
 Kilowatts 8.0
 Volts-Ph-Hz 480/3/60
 Control Volts 24.0
 Steps 1
 Heater Amps 9.6

Rev. By : M. REEVES
 Date : 02/27/15
WARREN TECHNOLOGY