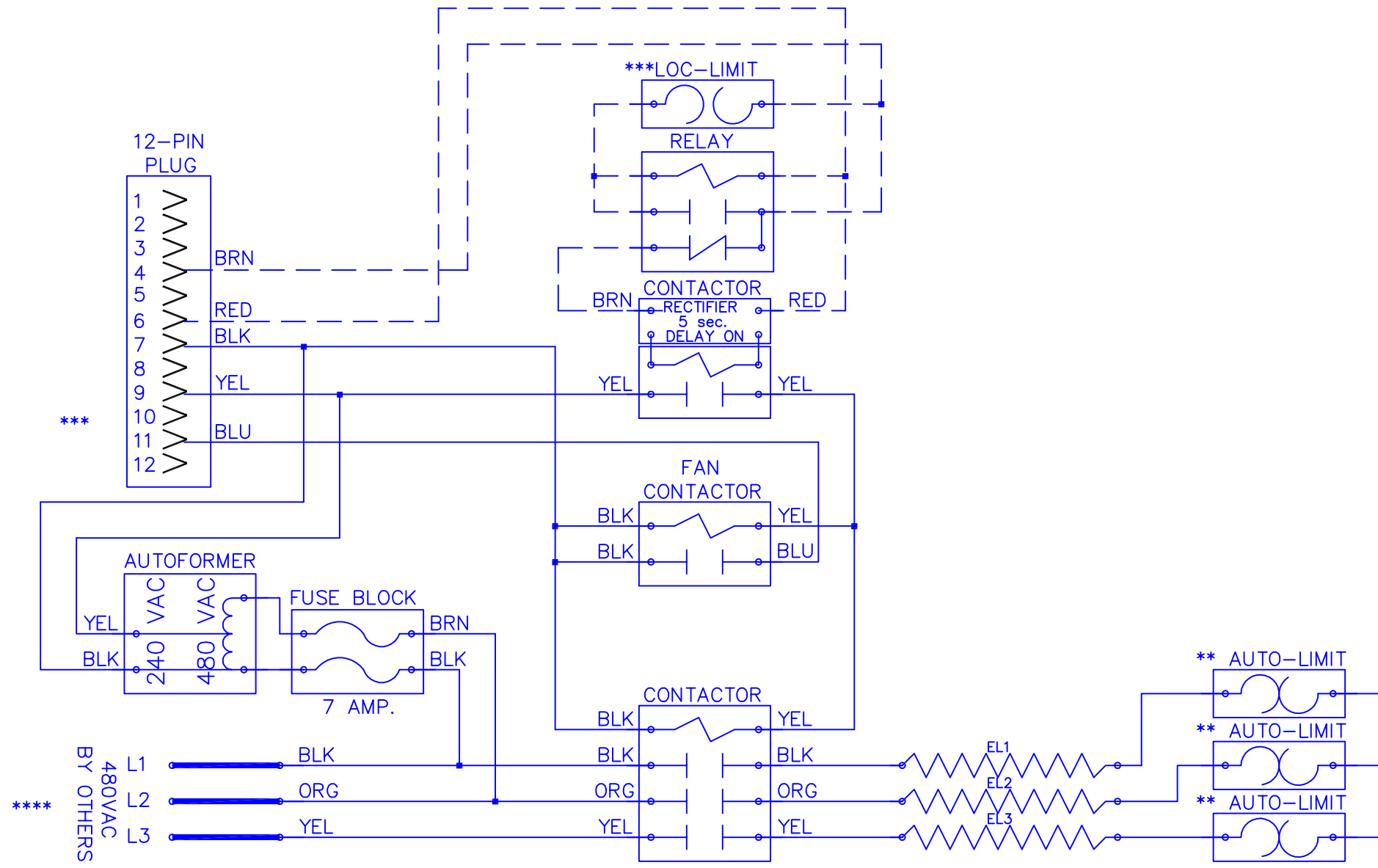


W K F

0 5 0 5 A



Model	WKF-0505A
Serial #	_____
Tag -	_____
Kilowatts	5.0
Volts-Ph-Hz	480/3Y/60
Control Volts	24.0
Steps	1
Heater Amps	6.0

NOTE :
 CAUTION - Contactors utilize 22-28VDC coils with AC to DC rectifiers. Do not use contactor without rectifier. Replace with factory authorized parts only.
 -Contactor must always utilize AC-DC Rectifier with Time Delay as shown.
 ** Replace Auto-Reset with Therm-O-Disc type 60TX11-F165X.
 *** Replace Lock-Out Limit with 36TXV12 - 150°C To Reset Lock-Out Limit, Cycle Power To The Heater With Either The Circuit Breaker Or The Thermostat.
 **** 24VAC, Class 2 power source must not exceed 26.4VAC under any primary input voltage condition per UL/NEC.
 ***** Power supply wiring per NEC & Local Codes. Suitable for at least 75°C. Use copper conductor wiring only.

Control Wiring - - - - -
 Power Wiring _____
 Field Wiring _____

WKF0505A

Rev. by : M. REEVES
 Date : 08/13/18

WARREN TECHNOLOGY