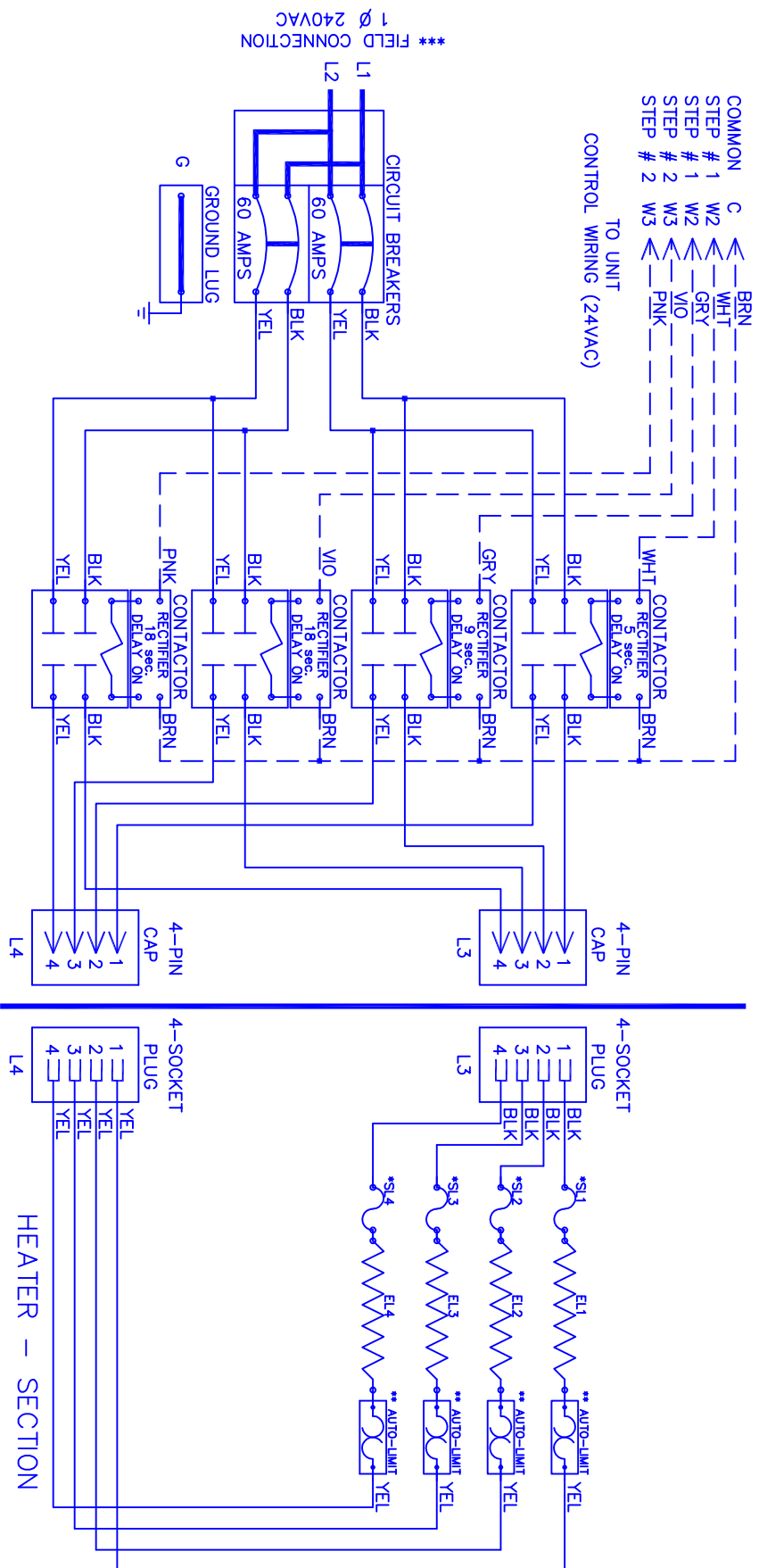


# WZHI — 2002BDP



**NOTE :**

\* Replace "Service Loop" with SL-075B

\*\* Replace Auto-Reset with Therm-O-Disc type 60TX11-L165.

\*\*\* Power supply wiring per NEC & Local Codes. Suitable for at least 75°C.

Use copper conductor wiring only.

Relays utilize 22VDC coils with AC to DC rectifiers.

Do not use relay without rectifier.

Replace with factory authorized parts only.

24VAC, Class 2 power source must not exceed 26.4VAC under any primary input voltage condition per UL/NEC.

Control Wiring

Power Wiring

Field Wiring

Model	WZH-2002BDP
Serial #	
Tag -	
Kilowatts	20.00
Volts-Ph-Hz	240/1/60
Control Volts	24.0
Steps	2
Heater Amps	83.33
Circuit Breakers	60/60

WZH2002BDP

Rev. by : M. REEVES

Date : 02/27/15

# WARREN TECHNOLOGY