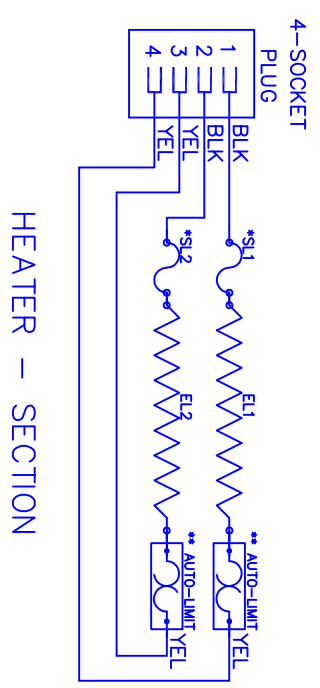
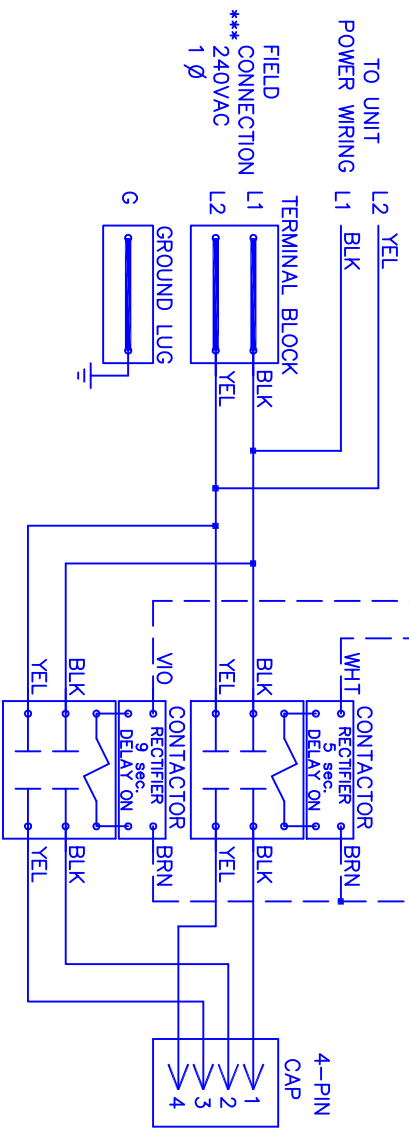


WZTH 1002X

COMMON C ← BRN
 STEP # 1 W2 ← WHT
 STEP # 2 W3 ← VIO

TO UNIT
 CONTROL WIRING (24VAC)



NOTE :

- * Replace "Service Loop" with SL-075B
- ** Replace Auto-Reset with Therm-O-Disc type 60TX11-L165.

Model	WZH-1002X
Serial #	_____
Tag -	_____
Kilowatts	10.00
Volts-Ph-Hz	240/1/60
Control Volts	24.0
Steps	2
Heater Amps	41.66

WZH1002X

Rev. by : M. REEVES
 Date : 02/27/15

WARREN TECHNOLOGY

Control Wiring -----
 Power Wiring _____
 Field Wiring _____