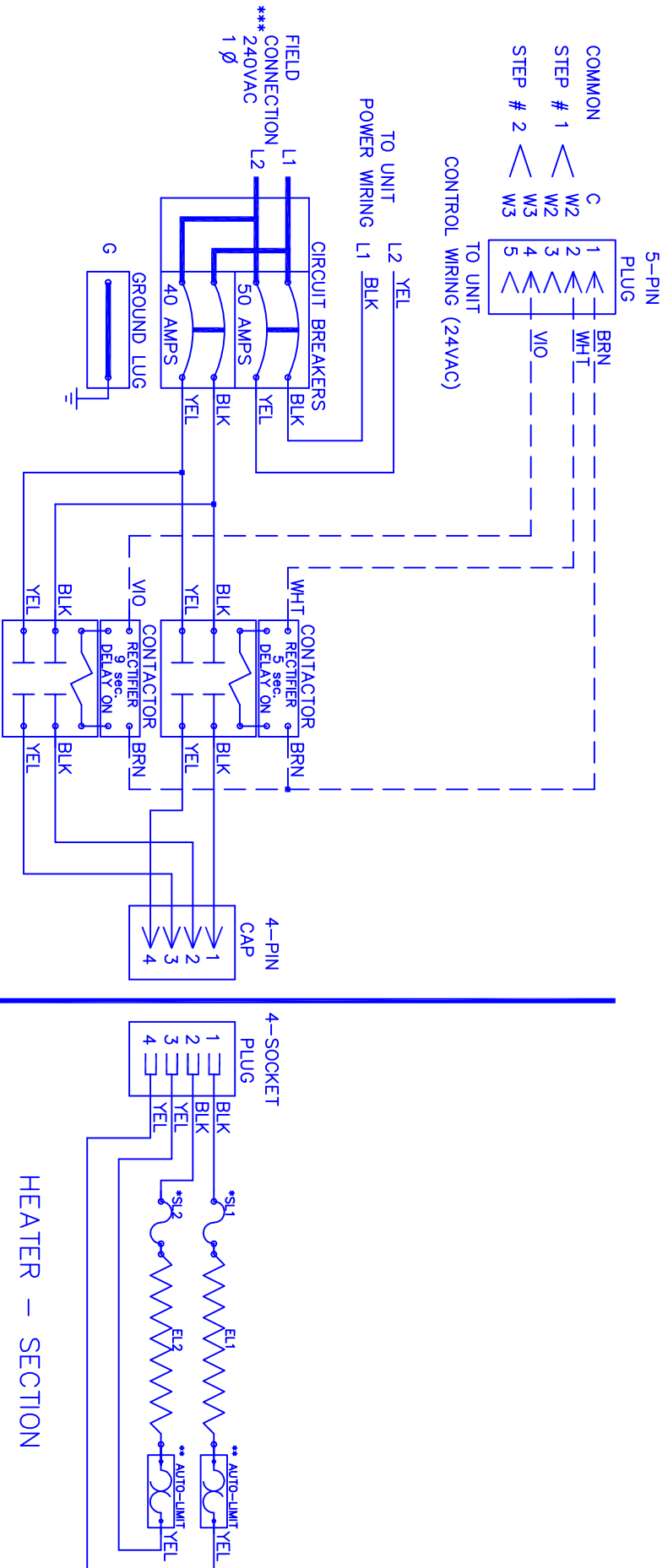


# WARREN

# 0752S



**NOTE :**

- \* Replace "Service Loop" with SL-075B
- \*\* Replace Auto-Reset with Therm-O-Disc type 60TX11-L165.

\*\*\* Power supply wiring per NEC & Local Codes. Suitable for at least 75°C.

Use copper conductor wiring only. Relays utilize 22VDC coils with AC to DC rectifiers. Do not use relay without rectifier.

Replace with factory authorized parts only. 24VAC, Class 2 power source must not exceed 26.4VAC under any primary input voltage condition per UL/NEC.

Control Wiring \_\_\_\_\_  
 Power Wiring \_\_\_\_\_  
 Field Wiring \_\_\_\_\_

Model	WZH-0752S
Serial #	_____
Tag -	_____
Kilowatts	07.20
Volts-Ph-Hz	240/1/60
Control Volts	24.0
Steps	2
Heater Amps	30.00
Circuit Breakers	40/50

WZH0752S

Rev. by : M. REEVES  
 Date : 02/27/15

# WARREN TECHNOLOGY