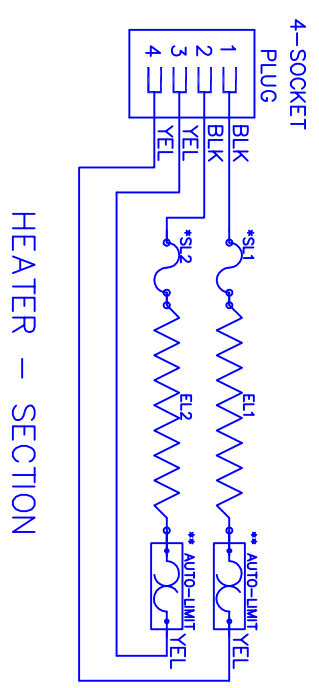
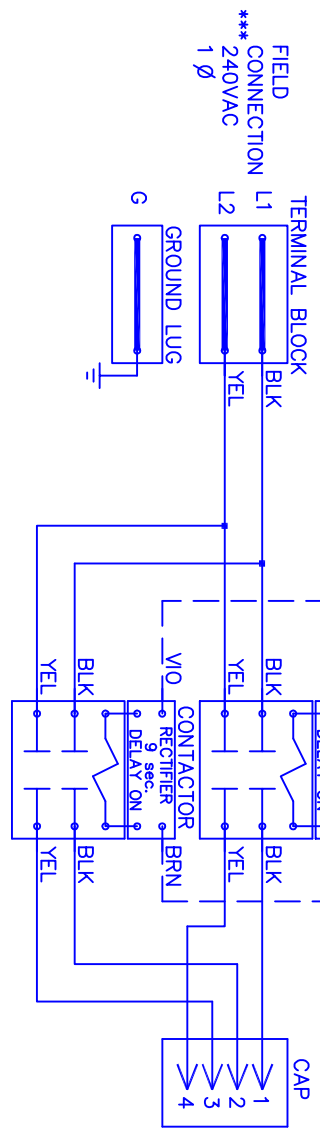
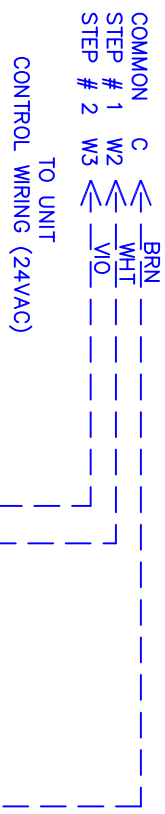


# WZIH — 0752DP



Model \_\_\_\_\_ WZH-0752DP  
 Serial # \_\_\_\_\_  
 Tag — \_\_\_\_\_  
 Kilowatts \_\_\_\_\_  
 Volts-Ph-Hz \_\_\_\_\_ 240/1/60  
 Control Volts \_\_\_\_\_ 24.0  
 Steps \_\_\_\_\_ 2  
 Heater Amps \_\_\_\_\_ 30.00

NOTE :

- \* Replace "Service Loop" with SL-075B
- \*\* Replace Auto-Reset with Therm-O-Disc type 60TX11-L165.
- \*\*\* Power supply wiring per NEC & Local Codes. Suitable for at least 75 °C.
- Use copper conductor wiring only.
- Relays utilize 22VDC coils with AC to DC rectifiers. Do not use relay without rectifier.
- Replace with factory authorized parts only.
- 24VAC, Class 2 power source must not exceed 26.4VAC under any primary input voltage condition per UL/NEC.

Control Wiring \_\_\_\_\_  
 Power Wiring \_\_\_\_\_  
 Field Wiring \_\_\_\_\_

Rev. by : M. REEVES  
 Date : 02/27/15

## WARREN TECHNOLOGY

WZH0752DP