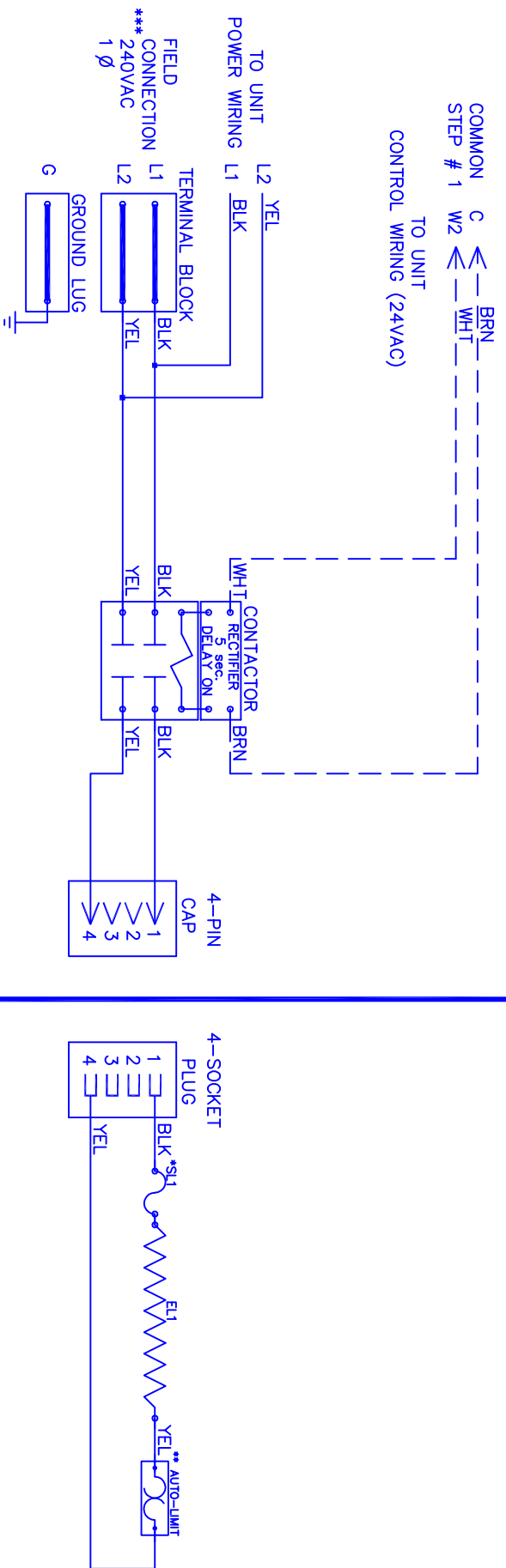


WZTH

0272X



HEATER - SECTION

NOTE :

- * Replace "Service Loop" with SL-075B
- ** Replace Auto-Reset with Therm-O-Disc type 60TX11-L165.
- *** Power supply wiring per NEC & Local Codes. Suitable for at least 75°C.
- Use copper conductor wiring only.
- Relays utilize 22VDC coils with AC to DC rectifiers. Do not use relay without rectifier.
- Replace with factory authorized parts only.
- 24VAC, Class 2 power source must not exceed 26.4VAC under any primary input voltage condition per UL/NEC.

Model	_____	WZH-0272X
Serial #	_____	
Tag -	_____	
Kilowatts	2.7	
Volts-Ph-Hz	240/1/60	
Control Volts	24.0	
Steps	1	
Heater Amps	11.25	

WZH0272X

Rev. by : M. REEVES
Date : 02/27/15

WARREN TECHNOLOGY