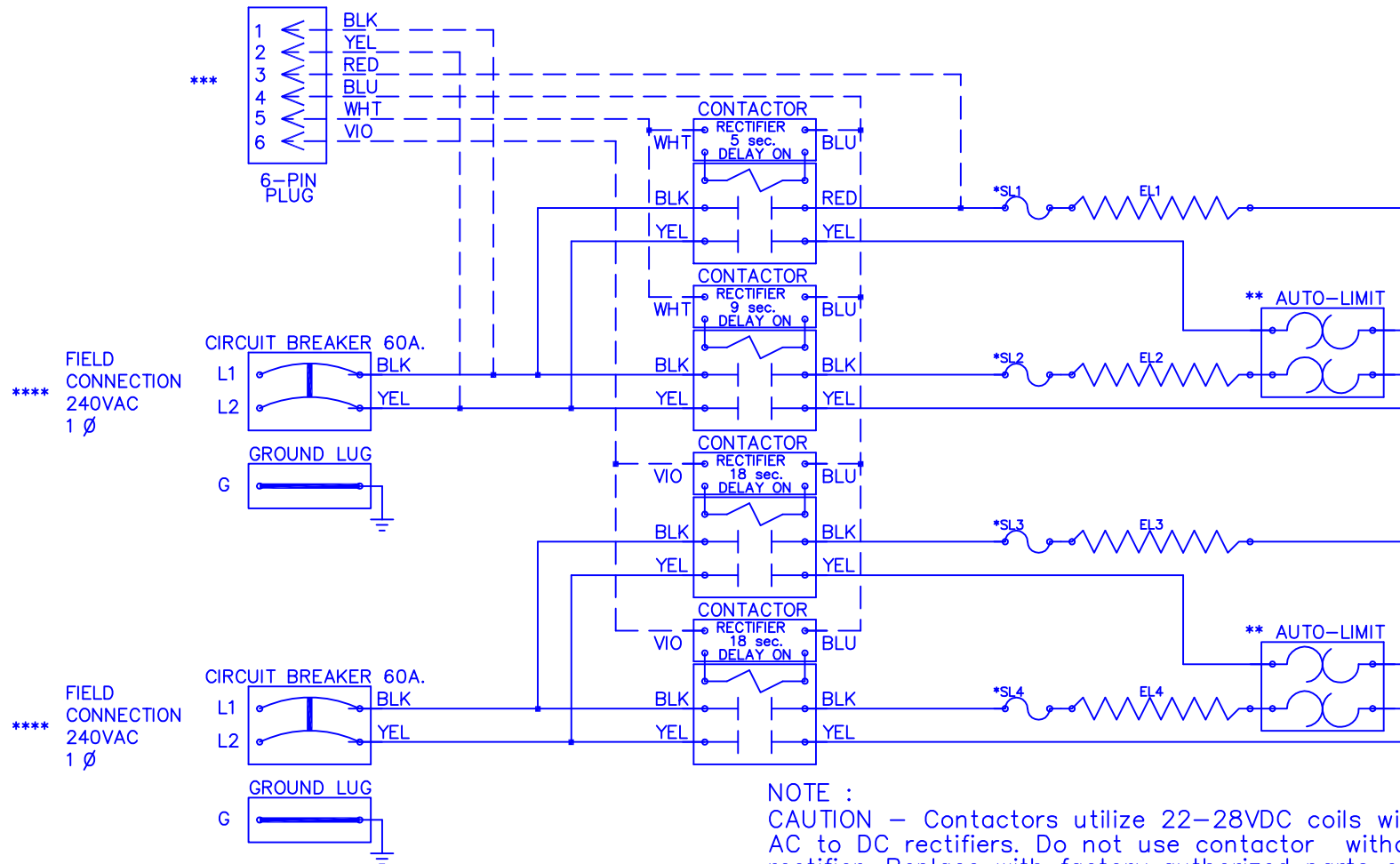


# WUH — 2002B



NOTE :  
 CAUTION – Contactors utilize 22–28VDC coils with AC to DC rectifiers. Do not use contactor without rectifier. Replace with factory authorized parts only.

–Contactor must always utilize AC–DC Rectifier with Time Delay as shown.

\* Replace "Service Loop" with SL–075B

\*\* Replace Auto–Reset with Therm–O–Disc type 64TX11–L165

\*\*\* 24VAC, Class 2 power source must not exceed 26.4VAC under any primary input voltage condition per UL/NEC.

\*\*\*\* Power supply wiring per NEC & Local Codes. Suitable for at least 75°C.

Use copper conductor wiring only.

Control Wiring      - - - - -  
 Power Wiring        \_\_\_\_\_  
 Field Wiring         \_\_\_\_\_

Model	WUH-2002B
Serial #	_____
Tag -	_____
Kilowatts	20.00
Volts-Ph-Hz	240/1/60
Control Volts	24.0
Steps	2
Heater Amps	83.30
Circuit Breakers	See C.B. above

WUH2002B

Rev. by : M. REEVES  
 Date : 10/27/15

## WARREN TECHNOLOGY