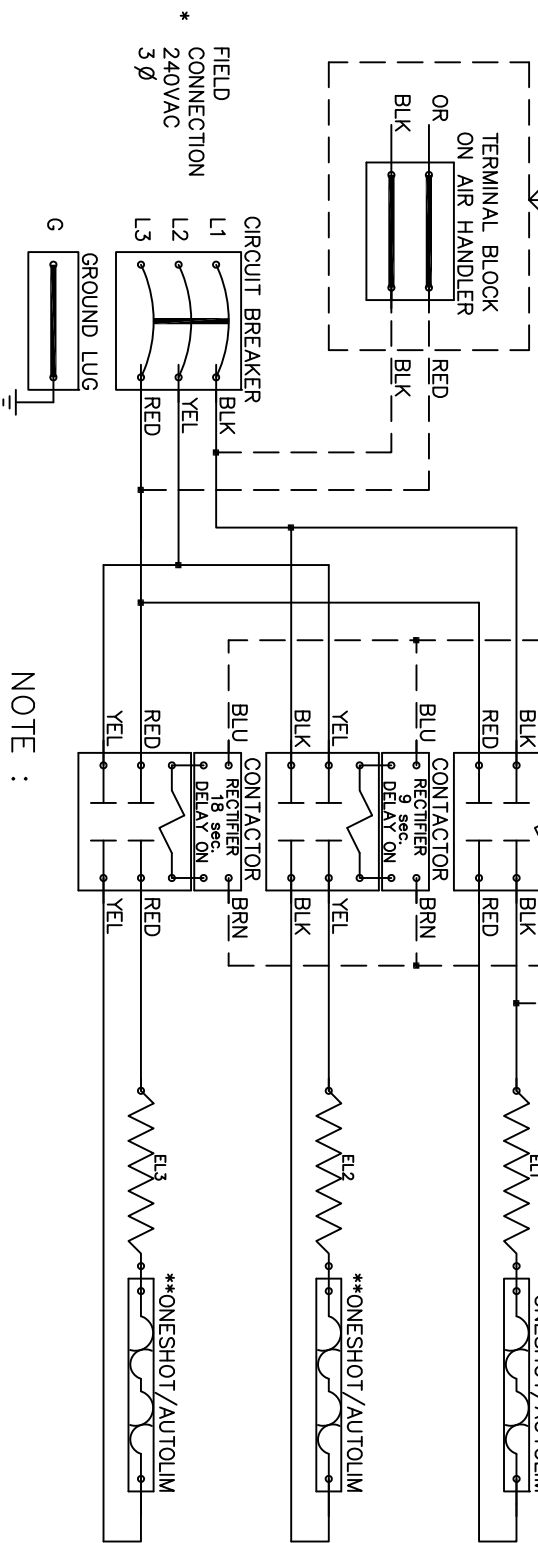


IMPORTANT: WIRE CONNECTION TO TERMINAL BLOCK ON AIRHANDLER MUST BE CONNECTED AS SHOWN.



Model _____
 Serial # _____
 Tag - _____
 Kilowatts _____
 Volts-Ph-Hz _____
 Control Volts _____
 Steps _____
 Heater Amps _____
 Circuit Breakers _____

WRX-1504B

14.4

240/3/~/60

24.0

2

34.64

SEE INSTALLER LABEL

NOTE :

- * Power supply wiring per NEC & Local Codes. Suitable for at least 75°C. Use copper conductor wiring only.
- ** Replace One Shot/Auto-Reset with Therm-O-Disc type L150F-333F
- *** Relays utilize 22-28VDC coils with AC to DC rectifiers. Do not use relay without rectifier.

24VAC, Class 2 power source must not exceed 26.4VAC under any primary input voltage condition per UL/NEC.

Control Wiring _____
 Power Wiring _____
 Field Wiring _____