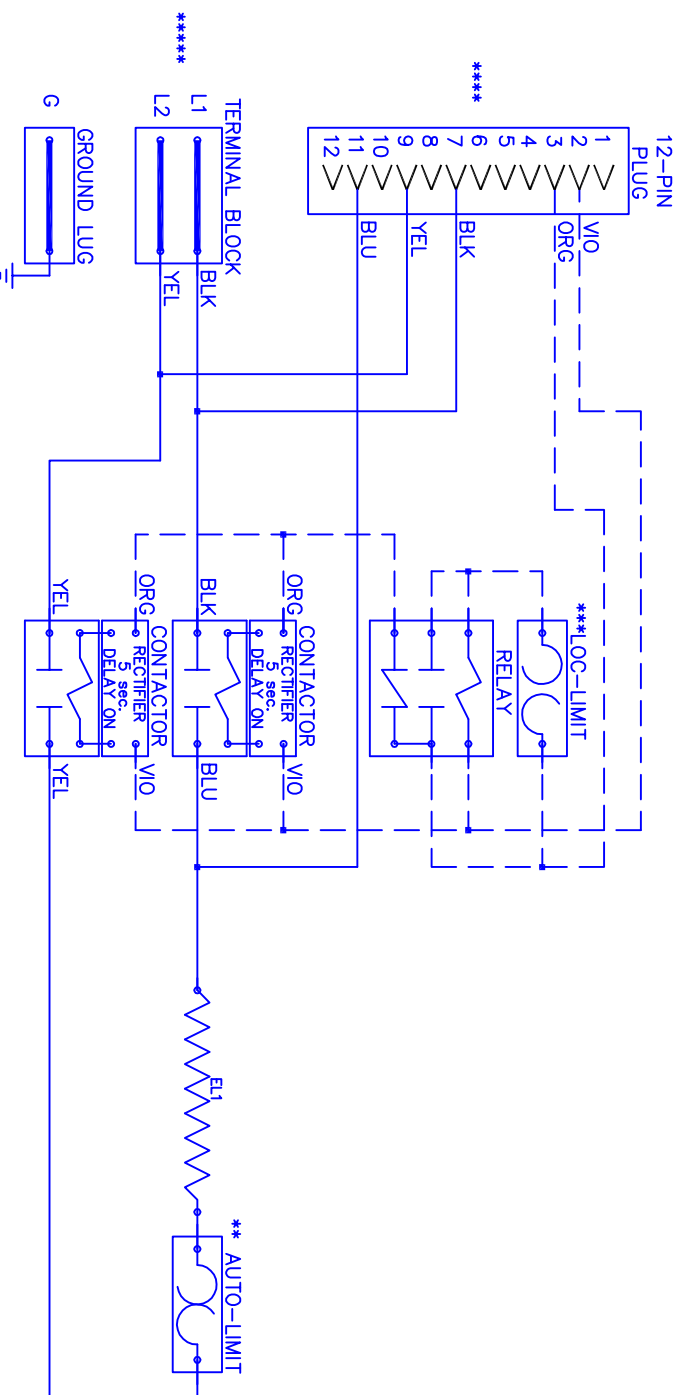


WKF — 0231 / 0302



Model WKF-0231/0302
 Serial # _____
 Tag - _____
 Kilowatts 2.3 / 2.76
 Volts-Ph-Hz 208/230/1/60
 Control Volts 24.0
 Steps 1
 Heater Amps 10.9 / 12.0

NOTE :
 CAUTION — Contactors utilize 22–28VDC coils with AC to DC rectifiers. Do not use contactor without rectifier. Replace with factory authorized parts only.
 —Contactor must always utilize AC–DC Rectifier with Time Delay as shown.
 ** Replace Auto–Reset with Therm–O–Disc type 60TX11–L165.
 *** Replace Lock–Out Limit with 36TXV12 — 150°C To Reset Lock–Out Limit, Cycle Power To The Heater With Either The Circuit Breaker Or The Thermostat.
 **** 24VAC, Class 2 power source must not exceed 26.4VAC under any primary input voltage condition per UL/NEC.
 ***** Power supply wiring per NEC & Local Codes. Suitable for at least 75°C.
 Use copper conductor wiring only.

Control Wiring _____
 Power Wiring _____
 Field Wiring _____