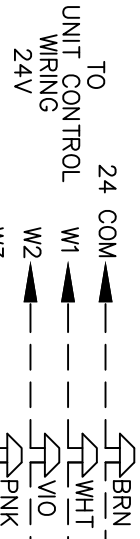
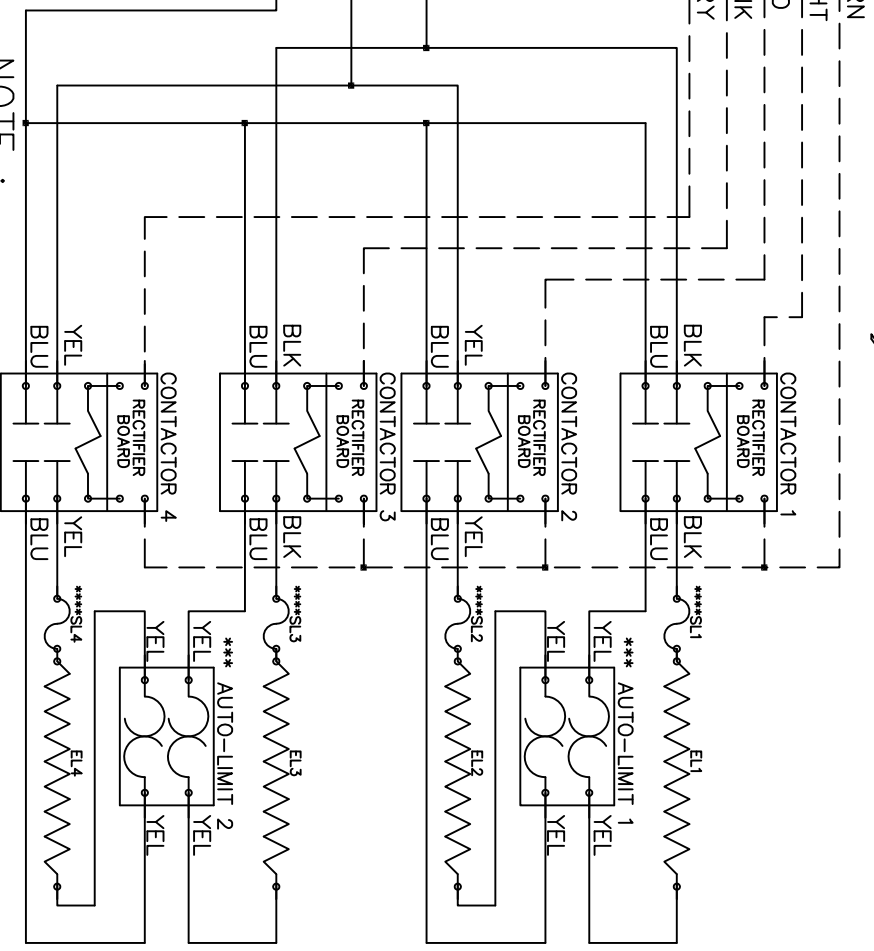
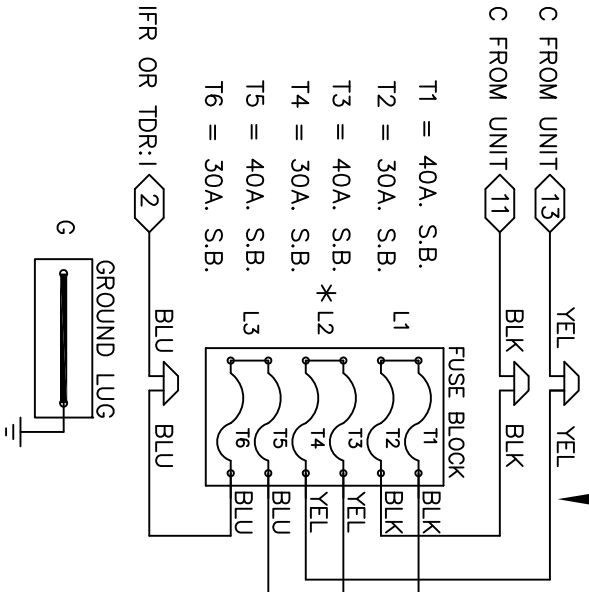


WGS-1503/1994



ALL POWER PIGTAILS 10 GA.



NOTE :

* Power supply wiring per NEC & Local Codes. Suitable for at least 75° C

Use copper conductor wiring only.

Field wire, NEC Class 1

*** Replace Auto-Reset with Therm-0-Disc type 64TX11-2PL-L165

**** Replace "Service Loop" with SL075B

CAUTION-RELAYS UTILIZE 22VDC COILS WITH AC TO DC RECTIFIERS. DO NOT USE RELAY WITHOUT RECTIFIER REPLACE WITH FACTORY AUTHORIZED PARTS ONLY.

-24VAC, Class 2 power source must not exceed 26.4VAC under any primary input voltage condition per U.L./NEC.

Model	_____	WGS-1503/1994
Serial #	_____	
Tag -	_____	
Kilowatts	15.0/19.9	
Volts-Ph-Hz	208/240/3/60	
Control Volts	24.0	
Steps	4	
Heater Amps	41.7/47.8	
Heater Fuses	SEE CHART ABOVE	
Control Wiring	_____	
Power Wiring	_____	
Field Wiring	_____	

WGS2004