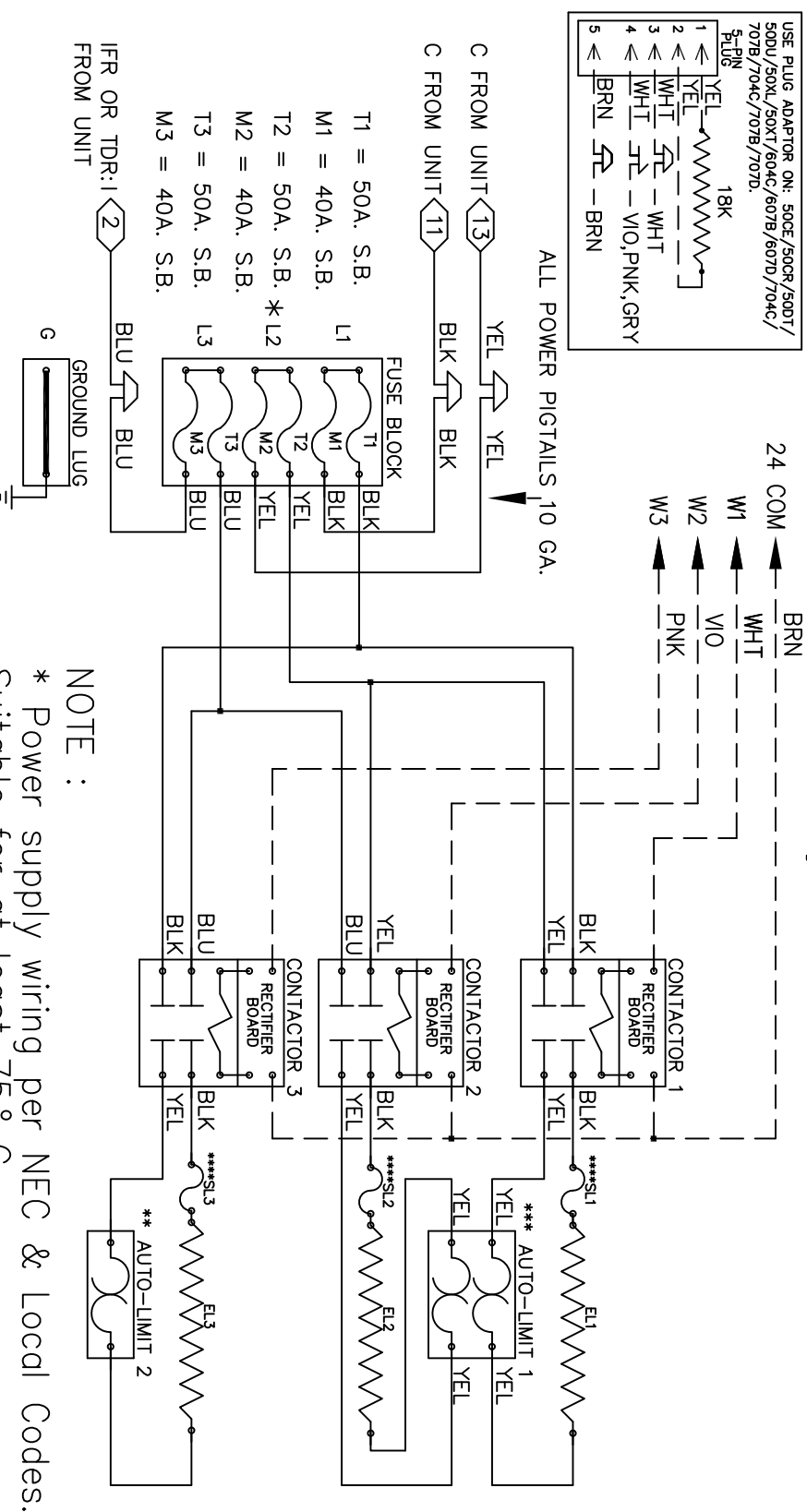


# WGS-1133/1504H

USE PLUG ADAPTERS ON: 500E/500R/500T/  
500U/50XL/50XT/604C/607B/607D/704C/  
707B/704C/707B/707D.  
5-PLUG  
1 < YEL 18K  
2 < WHT  
3 < WHT  
4 < WHT  
5 < BRN



ALL POWER PIGTAILS 10 GA.

**NOTE :**

- \* Power supply wiring per NEC & Local Codes. Suitable for at least 75° C
  - Use copper conductor wiring only.
  - Field wire, NEC Class 1
  - \*\* Replace Auto-Reset with Therm-0-Disc type 60TX11-L165
  - \*\*\* Replace Auto-Reset with Therm-0-Disc type 64TX11-2PL-L165
  - \*\*\*\* Replace "Service Loop" with SL075B
- CAUTION-RELAYS UTILIZE 22VDC COILS WITH AC TO DC RECTIFIERS. DO NOT USE RELAY WITHOUT RECTIFIER REPLACE WITH FACTORY AUTHORIZED PARTS ONLY.
- 24VAC, Class 2 power source must not exceed 26.4VAC under any primary input voltage condition per U.L./NEC.

Model \_\_\_\_\_ WGS-1133H/1504H

Serial # \_\_\_\_\_

Tag - \_\_\_\_\_

Kilowatts \_\_\_\_\_ 11.3/15.0

Volts-Ph-Hz \_\_\_\_\_ 208/240/3/60

Control Volts \_\_\_\_\_ 24.0

Steps \_\_\_\_\_ 2

Heater Amps \_\_\_\_\_ 31.3/36.1

Heater Fuses \_\_\_\_\_ See chart above

Control Wiring \_\_\_\_\_

Power Wiring \_\_\_\_\_

Field Wiring \_\_\_\_\_

WGS1504H

Rev. by : M. REEVES  
Effective Date: 02/27/15

WARREN TECHNOLOGY