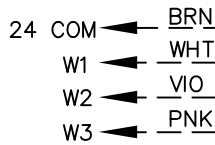
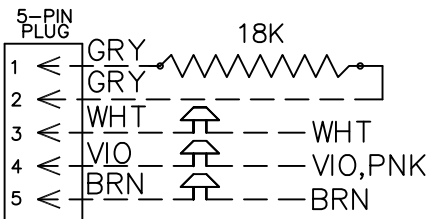


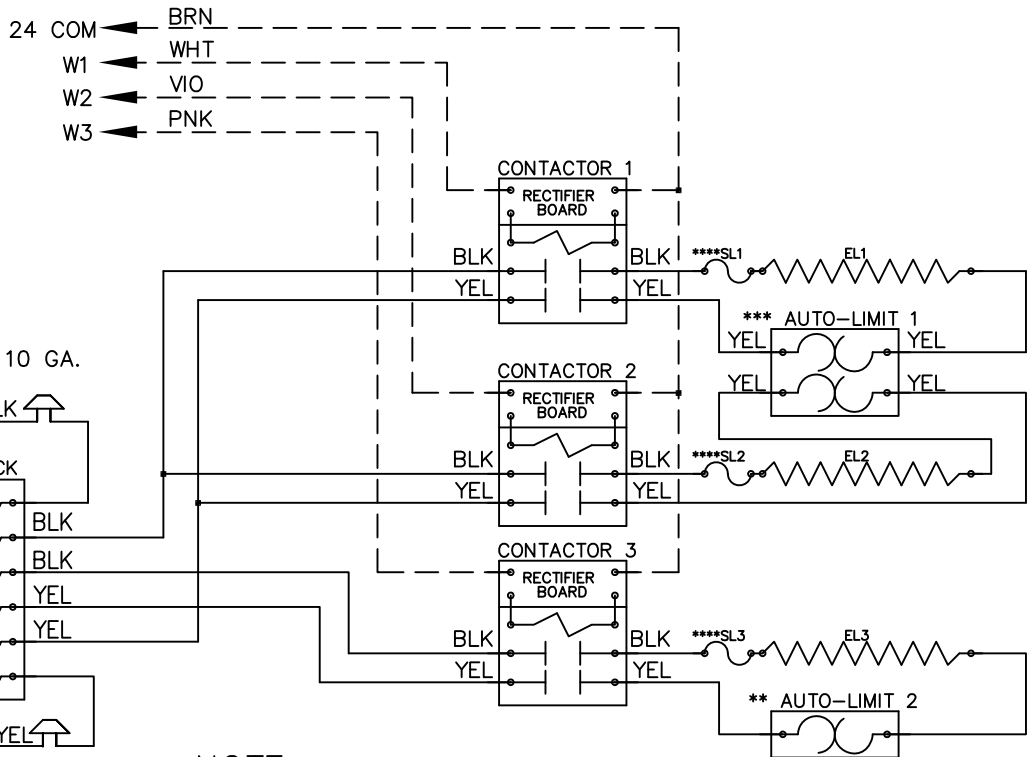
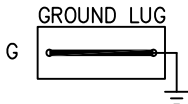
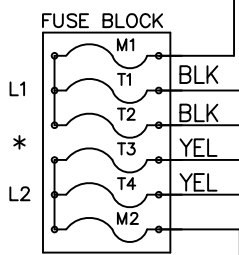
WGS-1131H/1502H

USE PLUG ADAPTOR ON: 50CE/50CR/50DT/
50DU/50XL/50XT/604C/607B/607D/704C/
707B/704C/707B/707D.



ALL POWER PIGTAILS 10 GA.
C FROM UNIT (11) BLK

- M1 = 50 AMP. S.B.
- T1 = 60 AMP. S.B.
- T2 = 30 AMP. S.B.
- T3 = 30 AMP. S.B.
- T4 = 60 AMP. S.B.
- M2 = 50 AMP. S.B.



NOTE :

- * Power supply wiring per NEC & Local Codes. Suitable for at least 75° C. Use copper conductor wiring only. Field wire, NEC Class I
 - ** Replace Auto-Reset with Therm-O-Disc type 60TX11-L165
 - *** Replace Auto-Reset with Therm-O-Disc type 64TX11-2PL-L165
 - **** Replace Service-Loop with SL075B
- CAUTION-RELAYS UTILIZE 22VDC COILS WITH AC TO DC RECTIFIERS. DO NOT USE RELAY WITHOUT RECTIFIER REPLACE WITH FACTORY AUTHORIZED PARTS ONLY.

-24VAC, Class 2 power source must not exceed 26.4VAC under any primary input voltage condition per U.L./NEC.
Replace with 250VAC type Slow Blow fuses
SINGLE POINT CONNECTION

Model	<u>WGS-1131H/1502H</u>
Serial #	_____
Tag -	_____
Kilowatts	<u>11.3/15.0</u>
Volts-Ph-Hz	<u>208/240/1/60</u>
Control Volts	<u>24.0</u>
Steps	<u>3</u>
Heater Amps	<u>54.2/62.5</u>
Heater Fuses	<u>See chart above</u>

Control Wiring	-----
Power Wiring	_____
Field Wiring	_____

WGS1502H

Rev. by : M. REEVES
Effective Date: 02/27/15

WARREN TECHNOLOGY