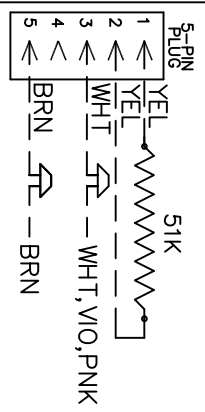
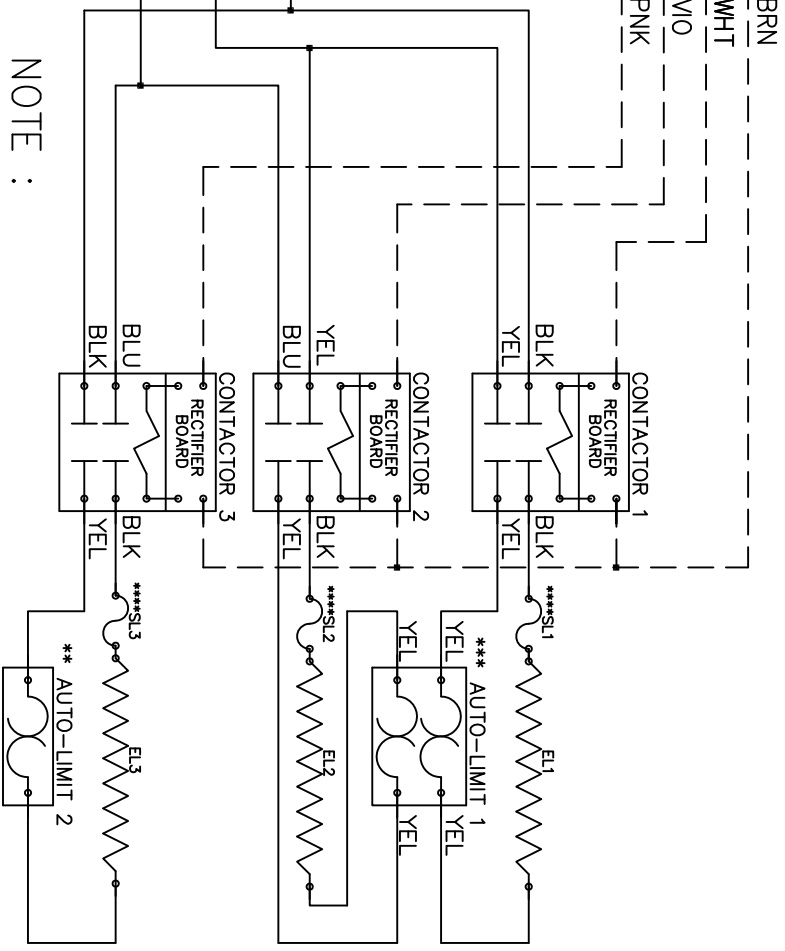
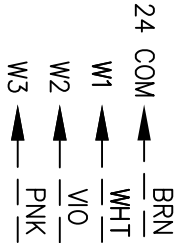
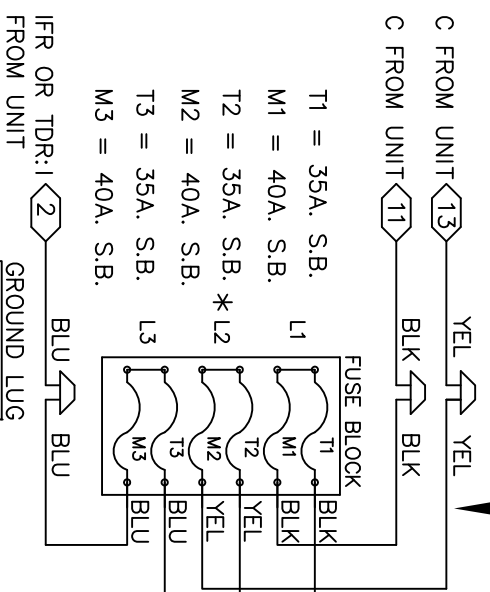


# WGS-0753H / 1004H

USE PLUG ADAPTOR ON: 50CE/50CR/50DT/  
50DU/50XL/50XT/604C/607B/607D/704C/  
707B/704C/707B/707D.



ALL POWER PIGTAILS 10 GA.



**NOTE :**

\* Power supply wiring per NEC & Local Codes.  
Suitable for at least 75° C  
Use copper conductor wiring only.

\*\* Replace Auto-Reset with Therm-0-Disc  
type 60TX11-L165

\*\*\* Replace Auto-Reset with Therm-0-Disc  
type 64TX11-2PL-L165

\*\*\*\* Replace "Service Loop" with SL075B

CAUTION-RELAYS UTILIZE 22VDC COILS WITH AC TO DC  
RECTIFIERS. DO NOT USE RELAY WITHOUT RECTIFIER  
REPLACE WITH FACTORY AUTHORIZED PARTS ONLY.

-24VAC, Class 2 power source must not exceed 26.4VAC  
under any primary input voltage condition per U.L./NEC.

Model \_\_\_\_\_  
Serial # \_\_\_\_\_  
Tag - \_\_\_\_\_  
Kilowatts \_\_\_\_\_  
Volts-Ph-Hz \_\_\_\_\_  
Control Volts \_\_\_\_\_  
Steps \_\_\_\_\_  
Heater Amps \_\_\_\_\_  
Heater Fuses \_\_\_\_\_  
Control Wiring \_\_\_\_\_  
Power Wiring \_\_\_\_\_  
Field Wiring \_\_\_\_\_

WGS-0753H/1004H

Rev. by : M. REEVES  
Effective Date: 02/27/15

WARREN TECHNOLOGY

WGS1004H