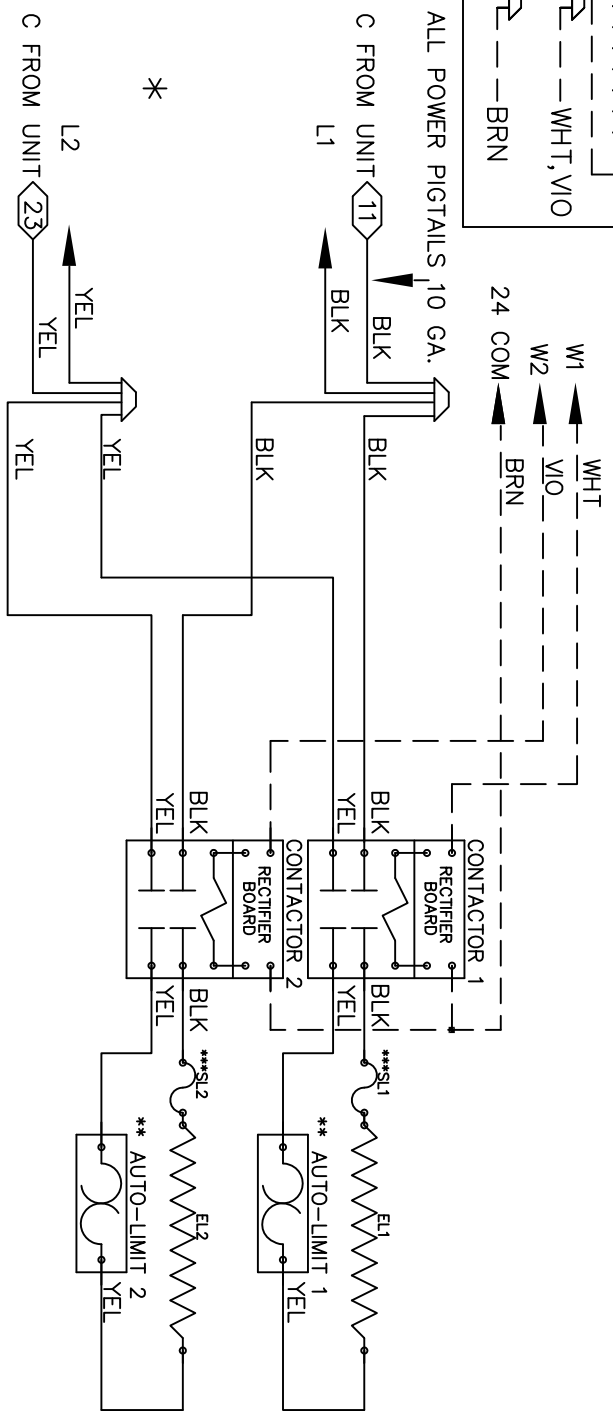
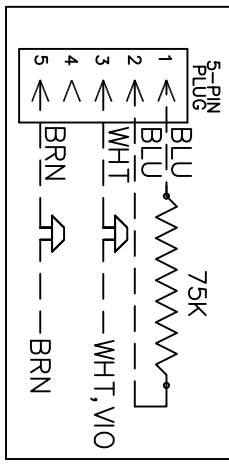


# WGS-0561/0752

USE PLUG ADAPTOR ON: 50CE/50CR/50DT/  
50DU/50XL/50XT/604C/607B/607D/704C/  
707B/704C/707B/707D.



**NOTE :**

\* Power supply wiring per NEC & Local Codes.  
Suitable for at least 75° C  
Use copper conductor wiring only.

Field wire, NEC Class I  
\*\* Replace Auto-Reset with Therm-O-Disc  
\*\*\* Replace Service-Loop with SL075B  
type 60TX11-L165

CAUTION-RELAYS UTILIZE 22VDC COILS WITH AC TO DC  
RECTIFIERS. DO NOT USE RELAY WITHOUT RECTIFIER  
REPLACE WITH FACTORY AUTHORIZED PARTS ONLY.

-24VAC, Class 2 power source must not exceed 26.4VAC  
under any primary input voltage condition per U.L./NEC.

Model	WGS-0561/0752
Serial #	
Tag	
Kilowatts	5.4/7.2
Volts-Ph-Hz	208/240 /1/ 60
Control Volts	24.0
Steps	2
Heater Amps	25.9/30.0
Heater Fuses	N/A

WGS0752

Rev. by : M. REEVES  
Date : 10/07/14

WARREN TECHNOLOGY