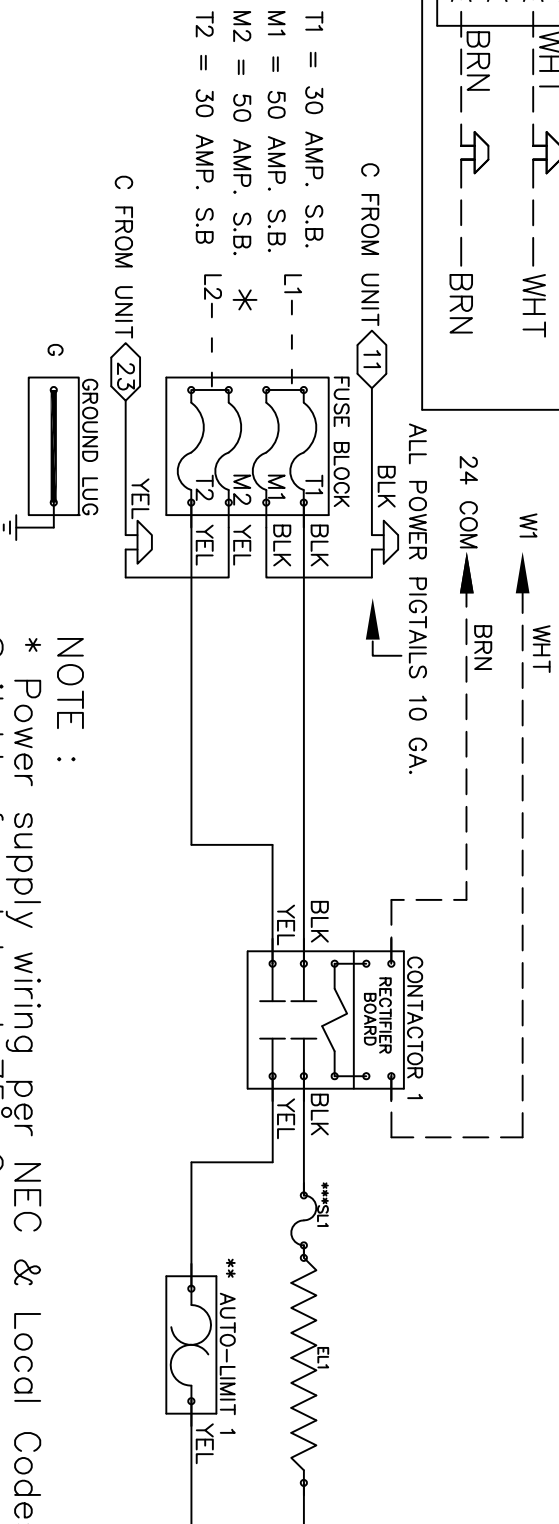
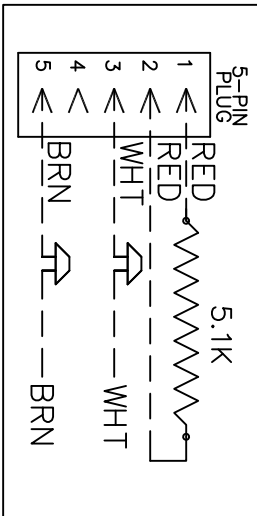


WGS-0381H/0502H

USE PLUG ADAPTOR ON: 50CE/50CR/50DT/
50DU/50XL/50XT/604C/607B/607D/704C/
707B/704C/707B/707D.



NOTE :

* Power supply wiring per NEC & Local Codes.
Suitable for at least 75°C
Use copper conductor wiring only.

Field wire, NEC Class I

** Replace Auto-Reset with Therm-O-Disc
type 60TX11-L165

*** Replace Service-Loop with SL075B

CAUTION-RELAYS UTILIZE 22VDC COLLS WITH AC TO DC
RECTIFIERS. DO NOT USE RELAY WITHOUT RECTIFIER
REPLACE WITH FACTORY AUTHORIZED PARTS ONLY.

-24VAC, Class 2 power source must not exceed 26.4VAC
under any primary input voltage condition per U.L./NEC.

Replace with 250VAC type Slow Blow fuses
SINGLE POINT CONNECTION

Control Wiring -----

Power Wiring -----

Field Wiring -----

Model _____
Serial # _____
Tag - _____
Kilowatts _____
Volts-Ph-Hz _____
Control Volts _____
Steps _____
Heater Amps _____
Heater Fuses _____

WGS-0381H/0502H
3.8/5.0
208/240/1/60
24.0
1
18.1/20.8
See chart above

WGS0502H

Rev. by : M. REEVES
Effective Date: 02/27/15

WARREN TECHNOLOGY