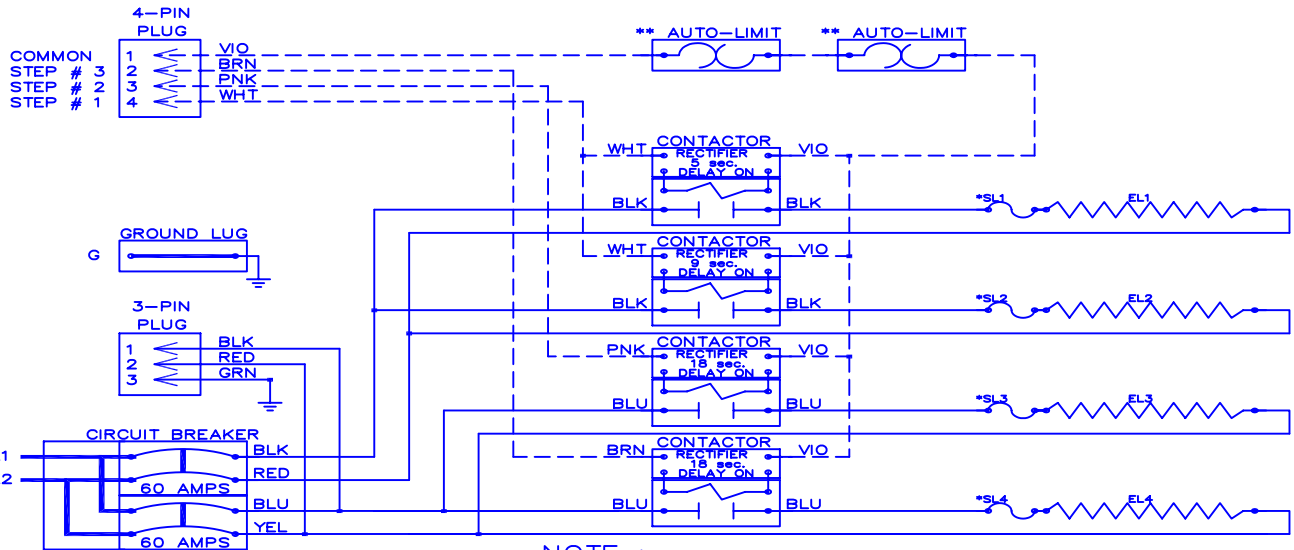


WGM — 2002S



FIELD CONNECTION
240VAC
1 Ø

NOTE :
 * Replace "Service Loop" with SL 6040-063
 ** Replace Auto-Reset with Therm-O-Disc type 60TX11-L165.
 *** Relays utilize 22VDC coils with AC to DC rectifiers. Do not use relay without rectifier.
 24VAC, Class 2 power source must not exceed 26.4VAC under any primary input voltage condition per UL/NEC.
 **** Power supply wiring per NEC & Local Codes. Suitable for at least 75°C.
 Use copper conductor wiring only.
 Control Wiring _____
 Power Wiring _____
 Field Wiring _____

Model	_____	WGM-2002S
Serial #	_____	
Tag -	_____	
Kilowatts	_____	19.20
Volts-Ph-Hz	_____	240/1/60
Control Volts	_____	24.0
Steps	_____	3
Heater Amps	_____	40.00/40.00
Circuit Breakers	_____	60/60