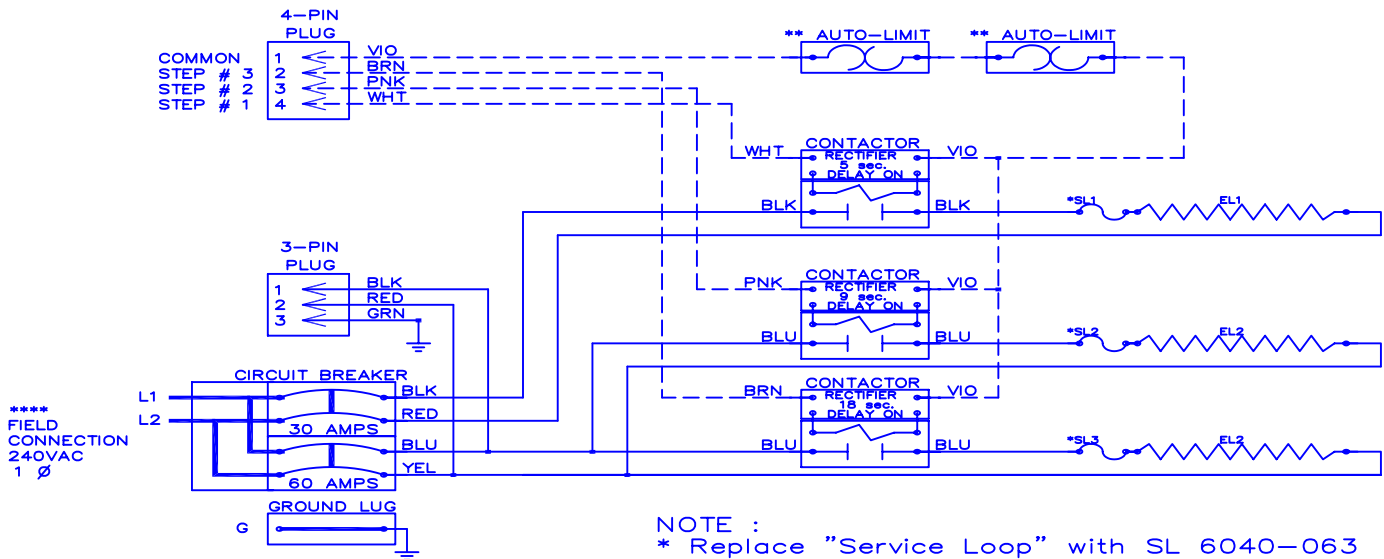


WGM — 1502S



FIELD
CONNECTION
240VAC
1 Ø

| | |
|------------------|--------------------|
| Model | <u>WGM-1502S</u> |
| Serial # | _____ |
| Tag | _____ |
| Kilowatts | <u>14.40</u> |
| Volts-Ph-Hz | <u>240/1/60</u> |
| Control Volts | <u>24.0</u> |
| Steps | <u>3</u> |
| Heater Amps | <u>20.00/40.00</u> |
| Circuit Breakers | <u>30/60</u> |

NOTE :
 * Replace "Service Loop" with SL 6040-063
 ** Replace Auto-Reset with Therm-O-Disc type 60TX11-L165.
 *** Relays utilize 22VDC coils with AC to DC rectifiers.
 Do not use relay without rectifier.
 24VAC, Class 2 power source must not exceed 26.4VAC under any primary input voltage condition per UL/NEC.
 **** Power supply wiring per NEC & Local Codes. Suitable for at least 75°C.
 Use copper conductor wiring only.

Control Wiring _____
 Power Wiring _____
 Field Wiring _____

WGM1502S
 Rev. by : M. REEVES
 Date : 01/27/11

WARREN TECHNOLOGY