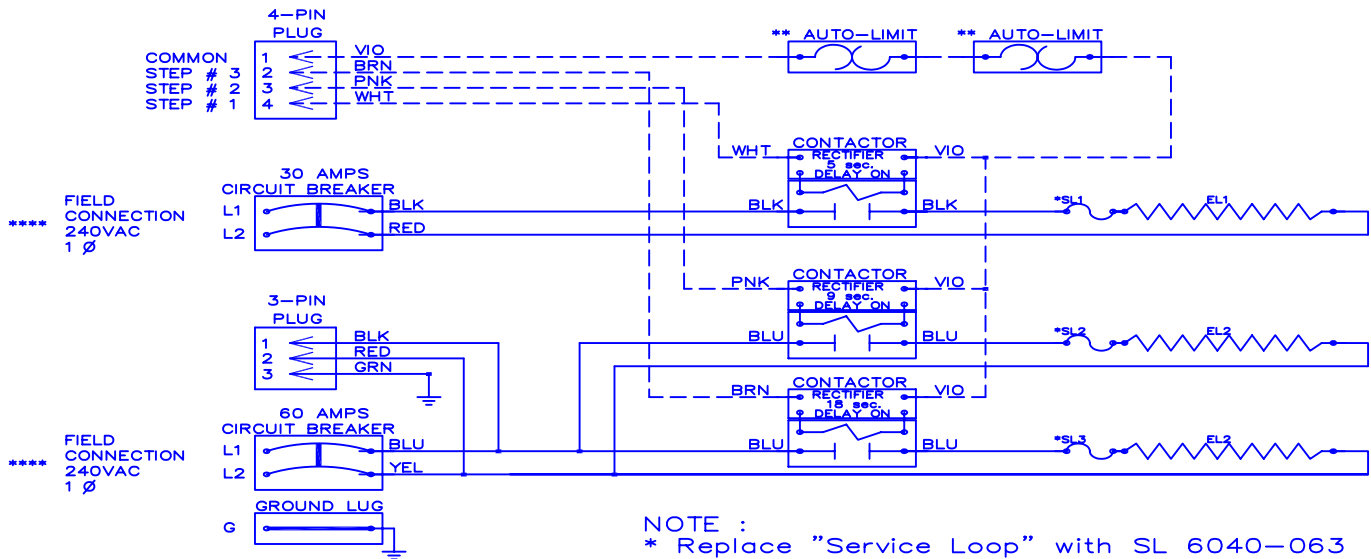


WGM — 1502B



NOTE :

- * Replace "Service Loop" with SL 6040-063
- ** Replace Auto-Reset with Therm-O-Disc type 60TX11-L165.
- *** Relays utilize 22VDC coils with AC to DC rectifiers. Do not use relay without rectifier.
- 24VAC, Class 2 power source must not exceed 26.4VAC under any primary input voltage condition per UL/NEC.
- **** Power supply wiring per NEC & Local Codes. Suitable for at least 75°C. Use copper conductor wiring only.

Model	<u>WGM-1502B</u>
Serial #	_____
Tag	_____
Kilowatts	<u>14.40</u>
Volts-Ph-Hz	<u>240/1/60</u>
Control Volts	<u>24.0</u>
Steps	<u>3</u>
Heater Amps	<u>20.00/40.00</u>
Circuit Breakers	<u>30/60</u>

Control Wiring _____
 Power Wiring _____
 Field Wiring _____

WGM1502B

Rev. by : M. REEVES
 Date : 01/27/11

WARREN TECHNOLOGY