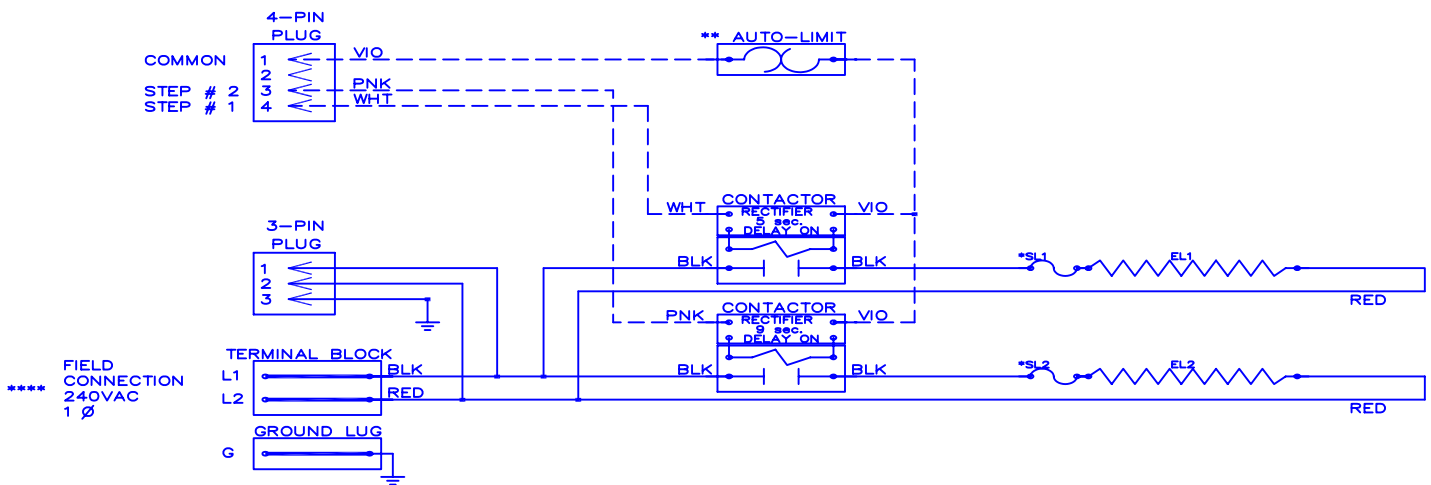


WGM

1002



FIELD CONNECTION
240VAC
1 Ø

Model	_____
Serial #	_____
Tag	_____
Kilowatts	9.60
Volts-Ph-Hz	240/1/60
Control Volts	24.0
Steps	2
Heater Amps	40.00

NOTE :

- * Replace "Service Loop" with SL 6040-063
 - ** Replace Auto-Reset with Therm-O-Disc type 60TX11-L165.
 - *** Relays utilize 22VDC coils with AC to DC rectifiers. Do not use relay without rectifier.
 - 24VAC, Class 2 power source must not exceed 26.4VAC under any primary input voltage condition per UL/NEC.
 - **** Power supply wiring per NEC & Local Codes. Suitable for at least 75°C.
- Use copper conductor wiring only.

Control Wiring -----
Power Wiring _____
Field Wiring _____

WGM1002

Rev. by : M. REEVES
Date : 01/27/11

WARREN TECHNOLOGY