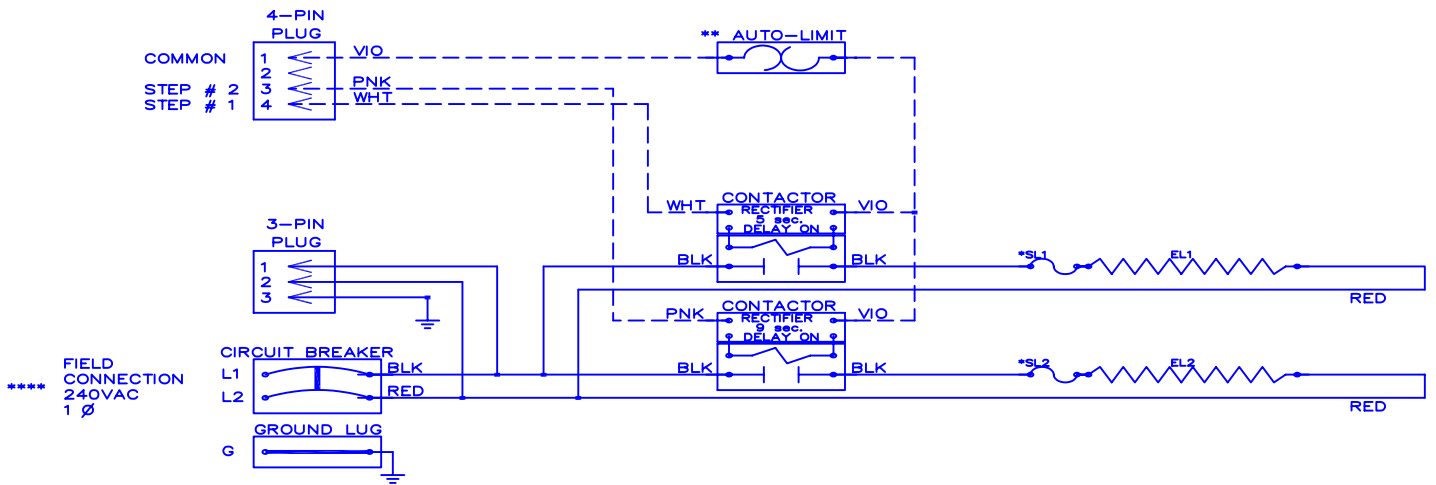


# WGM — 0802B



\*\*\*\*  
FIELD CONNECTION  
240VAC  
1 Ø

**NOTE :**

- \* Replace "Service Loop" with SL 6040-063
- \*\* Replace Auto-Reset with Therm-O-Disc type 60TX11-L165.
- \*\*\* Relays utilize 22VDC coils with AC to DC rectifiers. Do not use relay without rectifier.
- 24VAC, Class 2 power source must not exceed 26.4VAC under any primary input voltage condition per UL/NEC.
- \*\*\*\* Power supply wiring per NEC & Local Codes. Suitable for at least 75°C.
- Use copper conductor wiring only.

Model	<u>WGM-0802B</u>
Serial #	_____
Tag	_____
Kilowatts	<u>7.68</u>
Volts-Ph-Hz	<u>240/1/60</u>
Control Volts	<u>24.0</u>
Steps	<u>2</u>
Heater Amps	<u>32.00</u>
Breaker Sizes	<u>60</u>

Control Wiring \_\_\_\_\_  
 Power Wiring \_\_\_\_\_  
 Field Wiring \_\_\_\_\_

WGM0802B  
 Rev. by : M. REEVES  
 Date : 04/05/11

## WARREN TECHNOLOGY