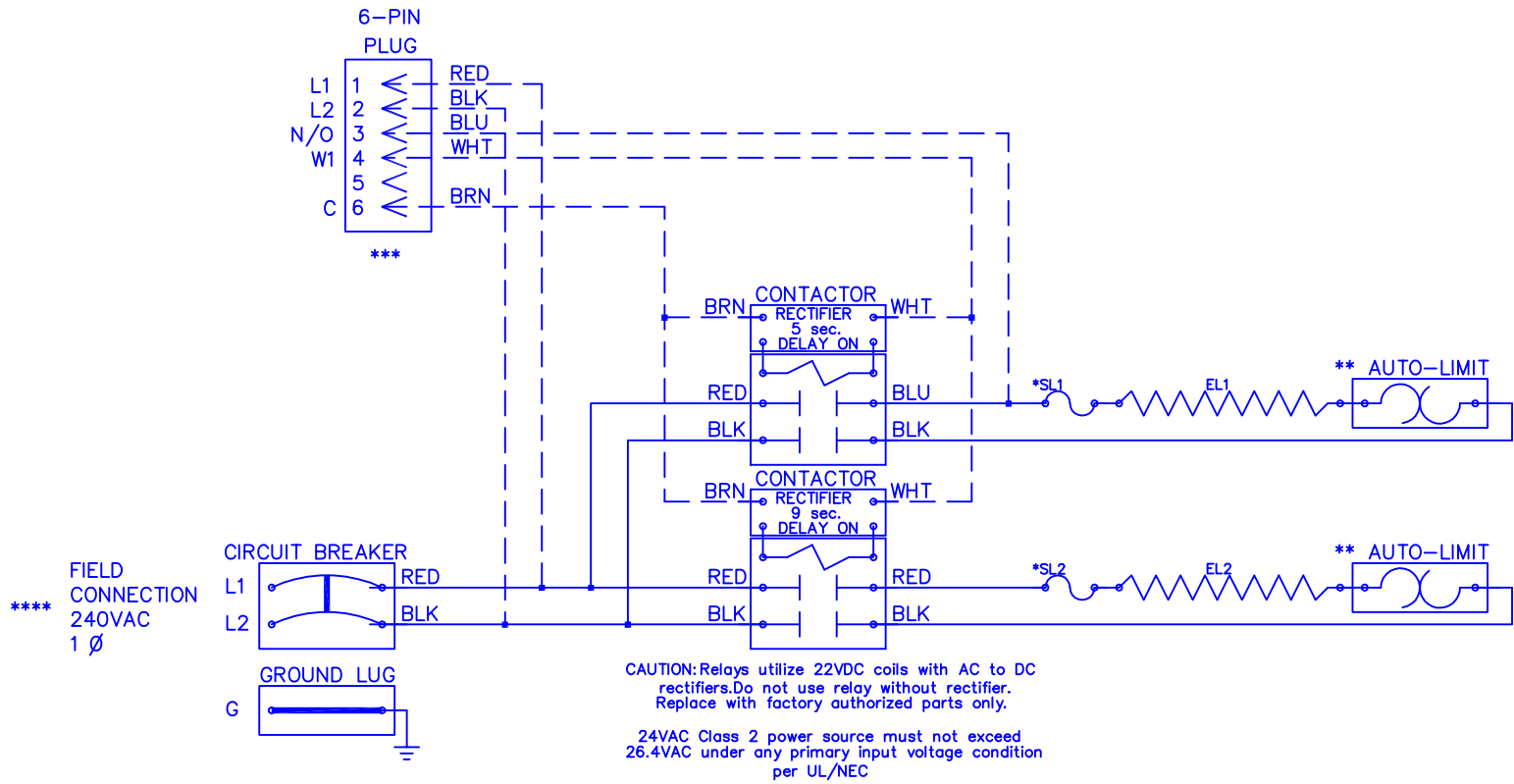


WFM

1002B



FIELD CONNECTION
240VAC
1 Ø

NOTE :

- * Replace "Service Loop" with SL075B
- ** Replace Auto-Reset with Therm-O-Disc type 60TX11-L145.
- *** 24VAC, Class 2 power source must not exceed 26.4VAC under any primary input voltage condition per UL/NEC.
- **** Power supply wiring per NEC & Local Codes. Suitable for at least 75°C. Use copper conductor wiring only.

Model	WFM-1002B
Serial #	_____
Tag -	_____
Kilowatts	5.0
Volts-Ph-Hz	240/1/60
Control Volts	24.0
Steps	1
Heater Amps	42.0
Circuit Breaker	60

Control Wiring -----
 Power Wiring _____
 Field Wiring _____

WFM1002B

Rev. by : M. REEVES
 Date : 02/27/15

WARREN TECHNOLOGY