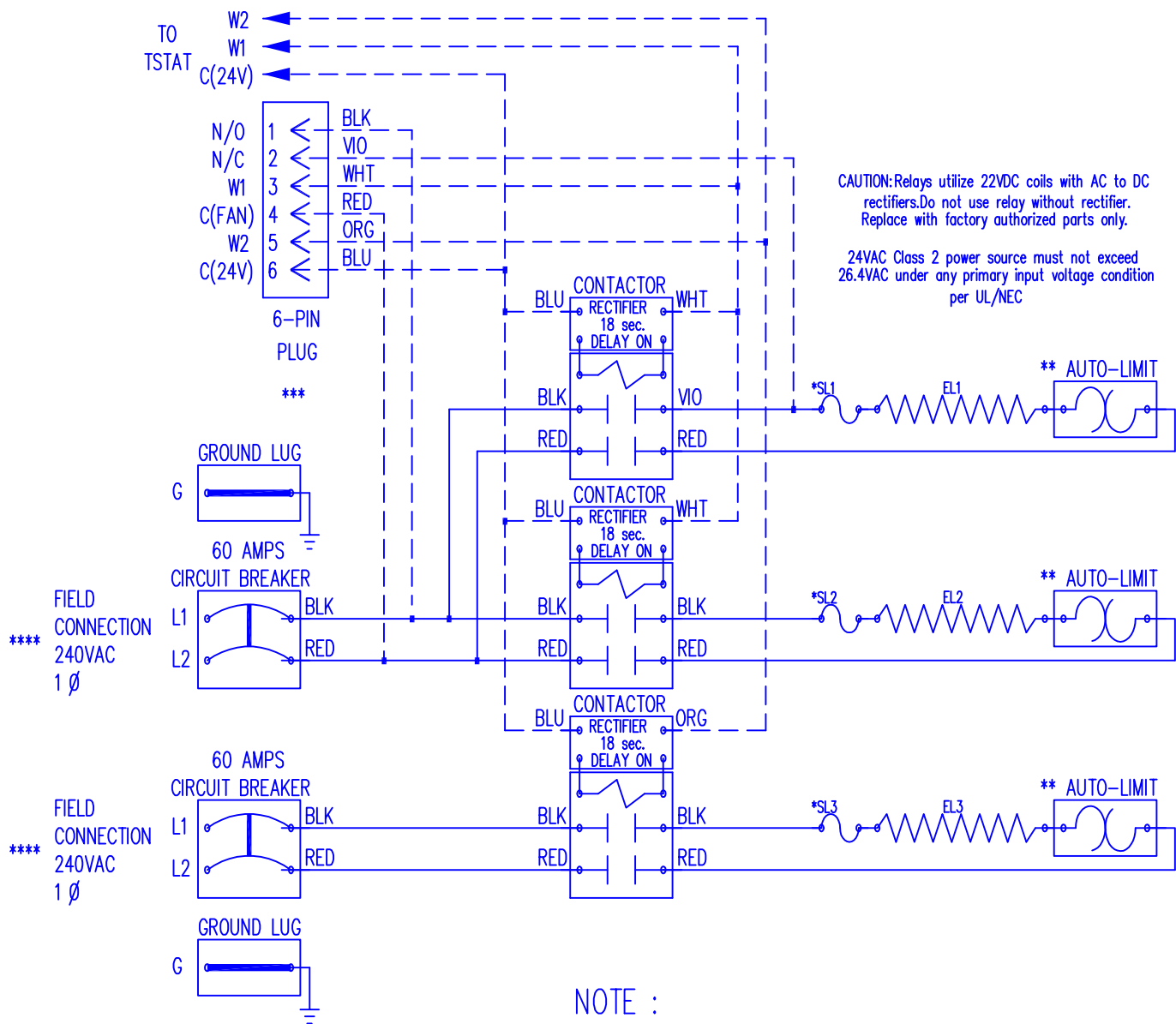


WEM — 1502BV



CAUTION: Relays utilize 22VDC coils with AC to DC rectifiers. Do not use relay without rectifier. Replace with factory authorized parts only.

24VAC Class 2 power source must not exceed 26.4VAC under any primary input voltage condition per UL/NEC

FIELD CONNECTION
240VAC
1 ∅

FIELD CONNECTION
240VAC
1 ∅

NOTE :

- * Replace "Service Loop" with SL075B
- ** Replace Auto-Reset with Therm-O-Disc type 60TX11-L165.
- *** 24VAC, Class 2 power source must not exceed 26.4VAC under any primary input voltage condition per UL/NEC.
- **** Power supply wiring per NEC & Local Codes. Suitable for at least 75°C. Use copper conductor wiring only.

Model	WEM-1502BV
Serial #	_____
Tag -	_____
Kilowatts	14.4
Volts-Ph-Hz	240/1/60
Control Volts	24.0
Steps	2
Heater Amps	40.0/20.0
Circuit Breaker	60/60

Control Wiring _____
 Power Wiring _____
 Field Wiring _____

WEM1502BV

Rev. by : M. REEVES
 Date : 02/27/15

WARREN TECHNOLOGY