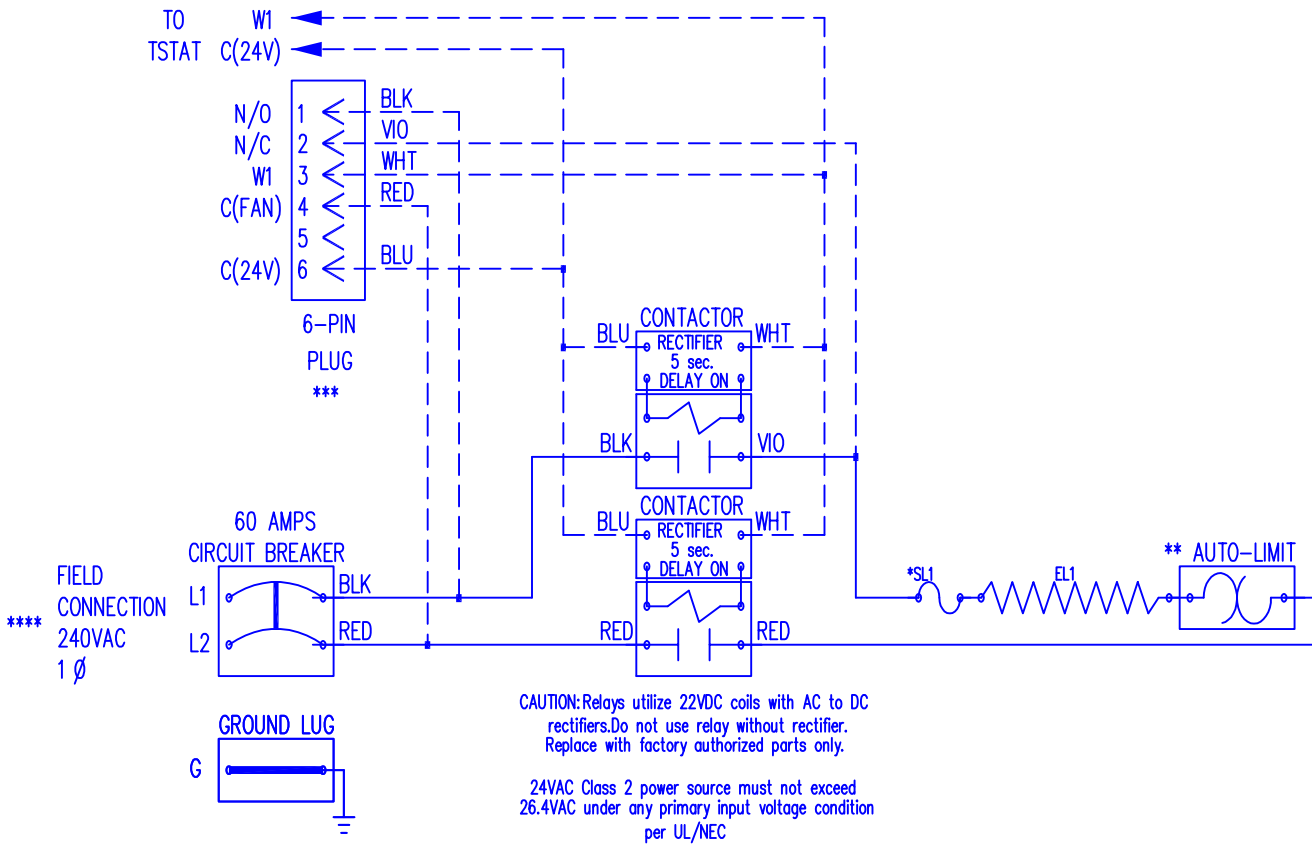


WEM — 0402B



NOTE :

- * Replace "Service Loop" with SL075B
- ** Replace Auto-Reset with Therm-O-Disc type 60TX11-L165.
- *** 24VAC, Class 2 power source must not exceed 26.4VAC under any primary input voltage condition per UL/NEC.
- **** Power supply wiring per NEC & Local Codes. Suitable for at least 75°C. Use copper conductor wiring only.

Model	<u>WEM-0402B</u>
Serial #	<u> </u>
Tag -	<u> </u>
Kilowatts	<u>3.84</u>
Volts-Ph-Hz	<u>240/1/60</u>
Control Volts	<u>24.0</u>
Steps	<u>1</u>
Heater Amps	<u>16.0</u>
Circuit Breaker	<u>60</u>

Control Wiring
 Power Wiring
 Field Wiring

WEM0402B

Rev. by : M. REEVES
 Date : 02/27/15

WARREN TECHNOLOGY