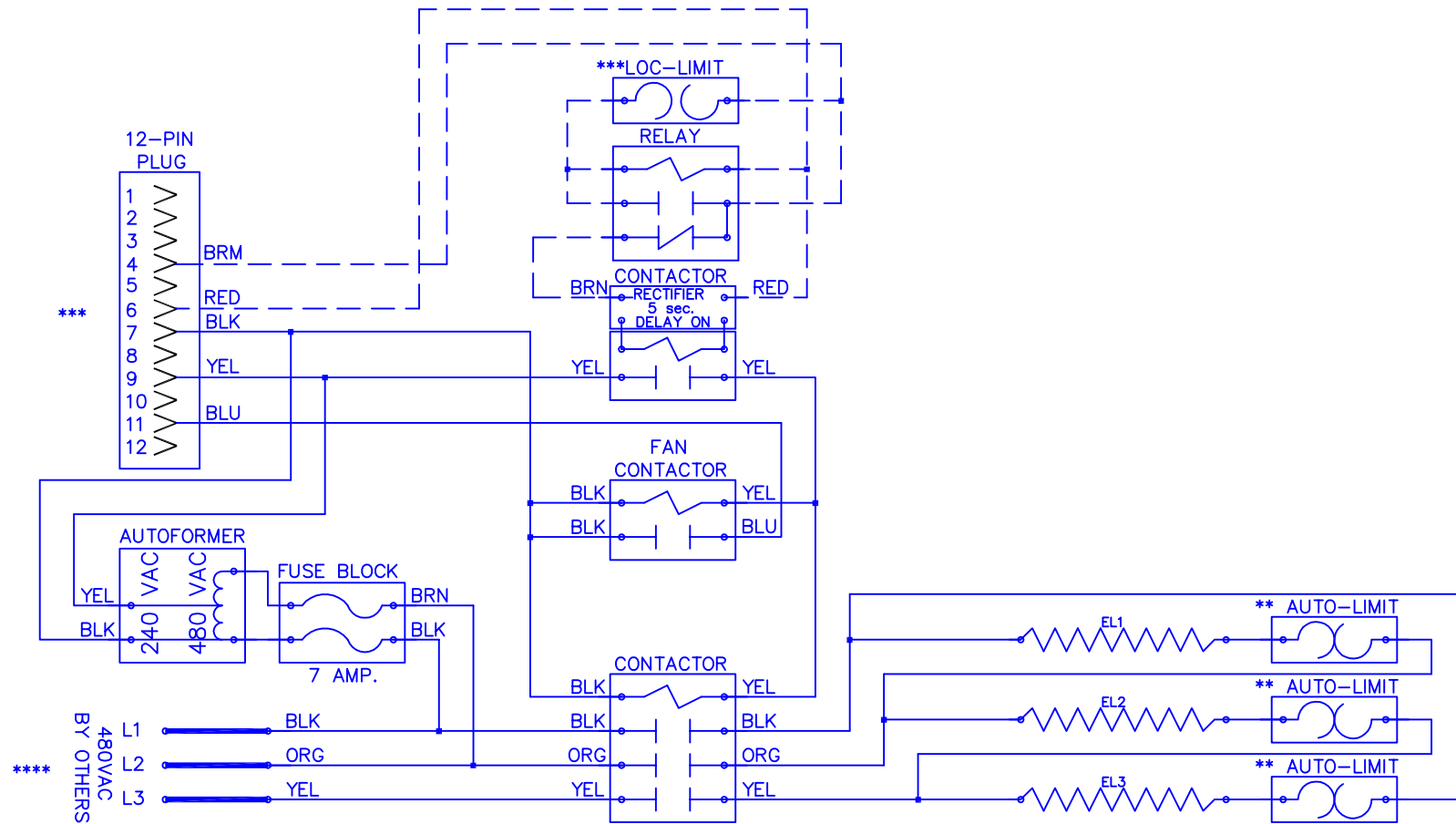


WKF

0805A



Model	WKF-0805A
Serial #	_____
Tag -	_____
Kilowatts	8.0
Volts-Ph-Hz	480/3/∕/60
Control Volts	24.0
Steps	1
Heater Amps	9.6

NOTE :

CAUTION - Contactors utilize 22-28VDC coils with AC to DC rectifiers. Do not use contactor without rectifier. Replace with factory authorized parts only.

-Contactor must always utilize AC-DC Rectifier with Time Delay as shown.

** Replace Auto-Reset with Therm-O-Disc type 60TX11-F165X.

*** Replace Lock-Out Limit with 36TXV12 - 150°C To Reset Lock-Out Limit, Cycle Power To The Heater With Either The Circuit Breaker Or The Thermostat.

**** 24VAC, Class 2 power source must not exceed 26.4VAC under any primary input voltage condition per UL/NEC.

***** Power supply wiring per NEC & Local Codes. Suitable for at least 75°C. Use copper conductor wiring only.

Control Wiring - - - - -

Power Wiring _____

Field Wiring _____

WKF0805A

Rev. by : M. REEVES
Date : 08/21/18

WARREN TECHNOLOGY