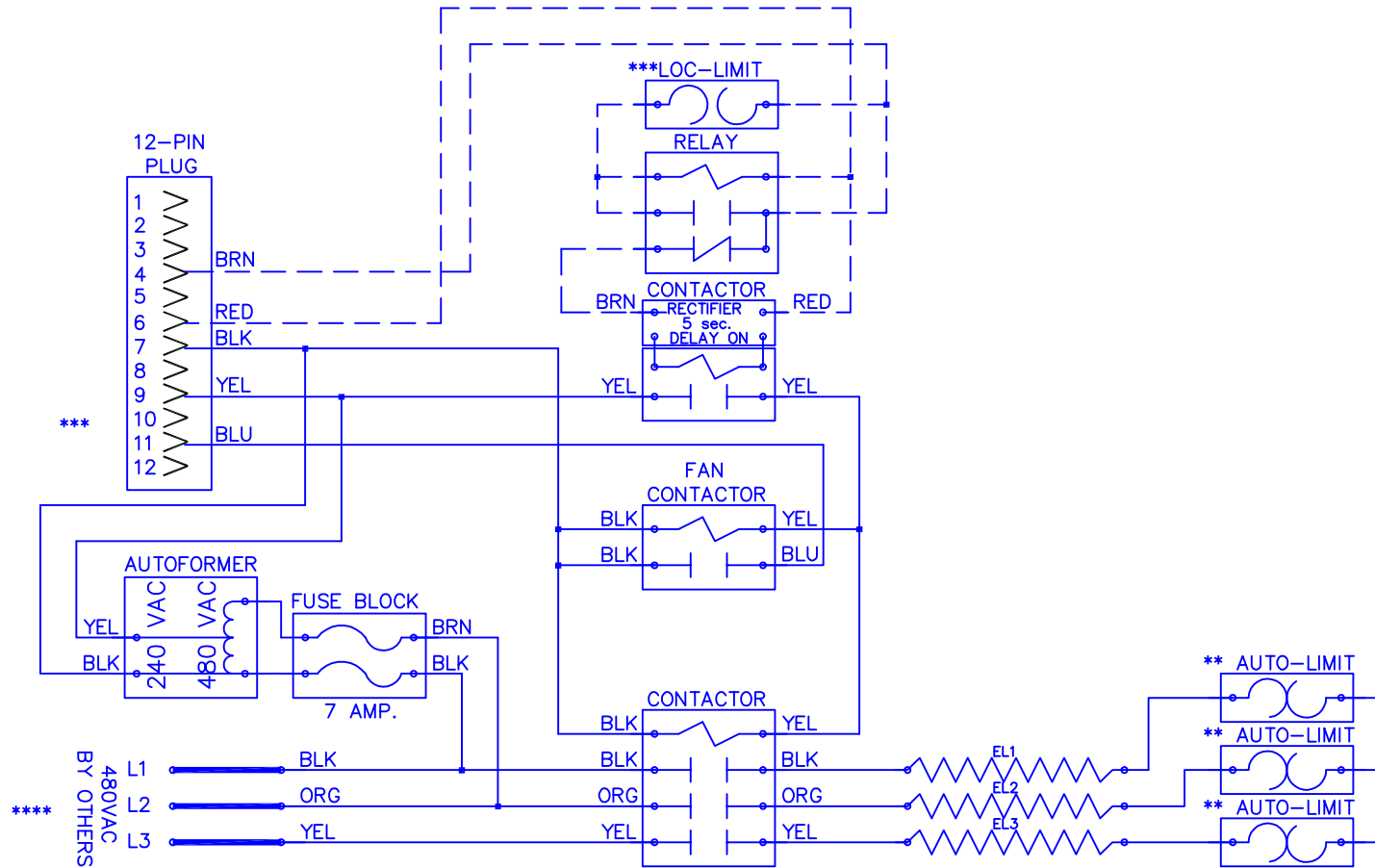


WKF

0305A



|               |           |
|---------------|-----------|
| Model         | WKF-0305A |
| Serial #      | _____     |
| Tag -         | _____     |
| Kilowatts     | 3.0       |
| Volts-Ph-Hz   | 480/3Y/60 |
| Control Volts | 24.0      |
| Steps         | 1         |
| Heater Amps   | 3.6       |

NOTE :  
 CAUTION - Contactors utilize 22-28VDC coils with AC to DC rectifiers. Do not use contactor without rectifier. Replace with factory authorized parts only.  
 -Contactor must always utilize AC-DC Rectifier with Time Delay as shown.

\*\* Replace Auto-Reset with Therm-O-Disc type 60TX11-F165X.

\*\*\* Replace Lock-Out Limit with 36TXV12 - 150°C To Reset Lock-Out Limit, Cycle Power To The Heater With Either The Circuit Breaker Or The Thermostat.

\*\*\*\* 24VAC, Class 2 power source must not exceed 26.4VAC under any primary input voltage condition per UL/NEC.

\*\*\*\*\* Power supply wiring per NEC & Local Codes. Suitable for at least 75°C.

Use copper conductor wiring only.

Control Wiring    \_\_\_\_\_

Power Wiring      \_\_\_\_\_

Field Wiring      \_\_\_\_\_

WKF0305A

Rev. by : M. REEVES  
 Date : 08/13/18

WARREN TECHNOLOGY