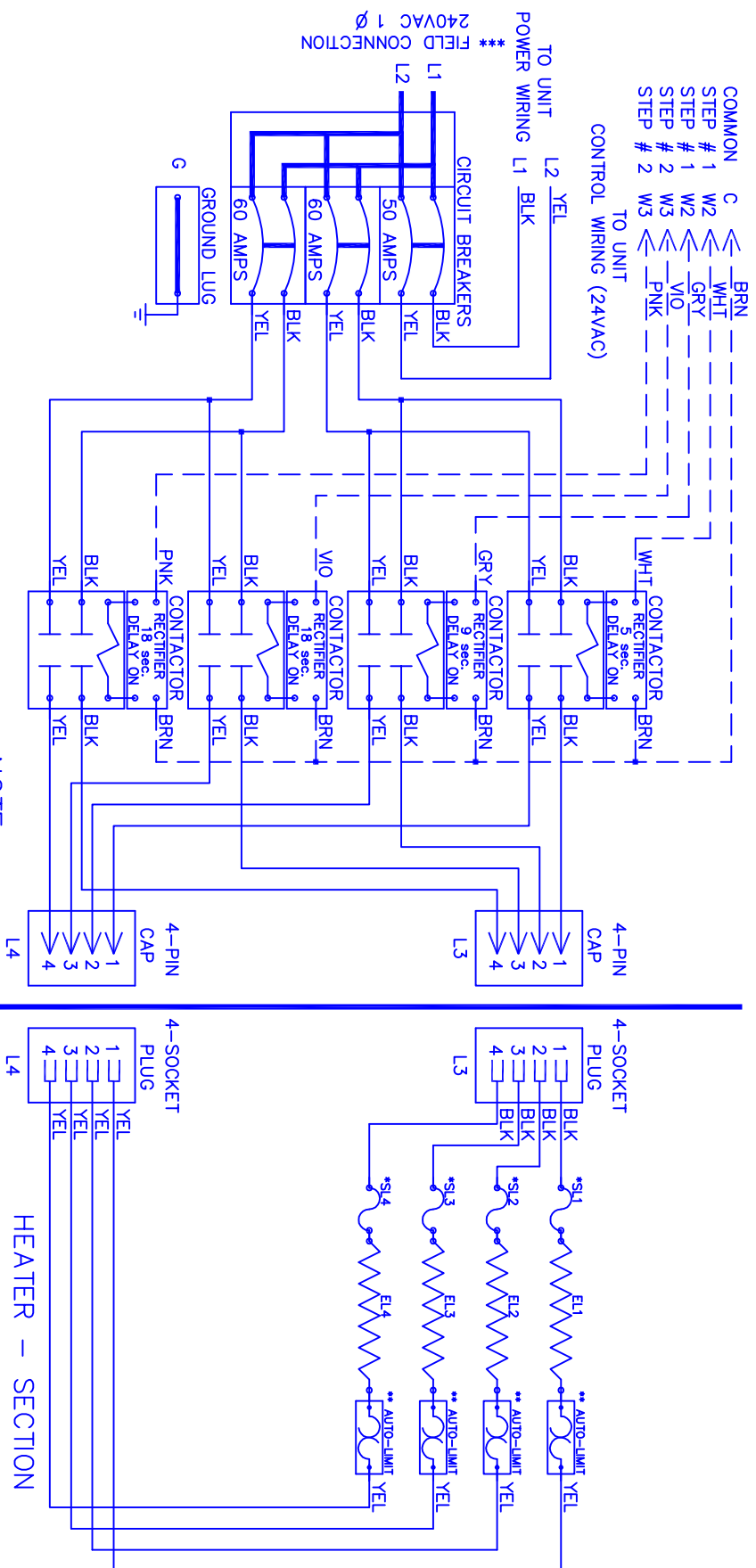


WZIH — 2002SX



NOTE :

- * Replace "Service Loop" with SL-075B
- ** Replace Auto-Reset with Therm-O-Disc type 60TX11-L165.
- *** Power supply wiring per NEC & Local Codes.
- Suitable for at least 75°C.
- Use copper conductor wiring only.
- Relays utilize 22VDC coils with AC to DC rectifiers.
- Do not use relay without rectifier.
- Replace with factory authorized parts only.
- 24VAC, Class 2 power source must not exceed 26.4VAC under any primary input voltage condition per UL/NEC.

Model	WZH-2002SX
Serial #	
Tag -	
Kilowatts	20.00
Volts-Ph-Hz	240/1/60
Control Volts	24.0
Steps	2
Heater Amps	83.33
Circuit Breakers	60/60/50

Rev. by : M. REEVES
Date : 02/27/15

WARREN TECHNOLOGY