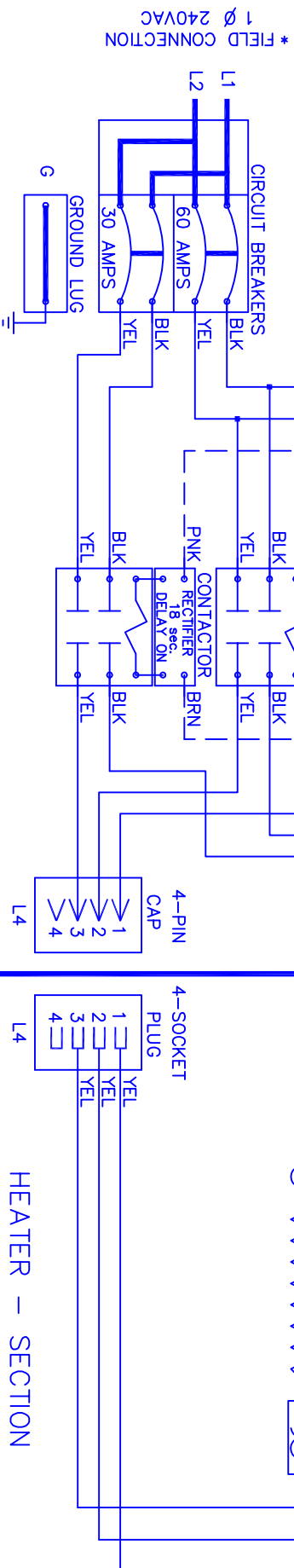


COMMON	C	BRN
STEP # 1	W2	WHT
STEP # 2	W3	VIO
STEP # 2	W3	PNK

TO UNIT
CONTROL WIRING (24VAC)



NOTE :

- * Replace "Service Loop" with SL-075B
- ** Replace Auto-Reset with Therm-O-Disc type 60TX11-L165.

*** Power supply wiring per NEC & Local Codes. Suitable for at least 75 °C.
 Use copper conductor wiring only.
 Relays utilize 22VDC coils with AC to DC rectifiers. Do not use relay without rectifier.
 Replace with factory authorized parts only.
 24VAC, Class 2 power source must not exceed 26.4VAC under any primary input voltage condition per UL/NEC.

Model	WZH-1502BDP
Serial #	
Tag -	
Kilowatts	15.00
Volts-Ph-Hz	240/1/60
Control Volts	24.0
Steps	2
Heater Amps	62.50
Circuit Breakers	30/60

WZH1502BDP

Rev. by : M. REEVES
 Date : 02/27/15

WARREN TECHNOLOGY