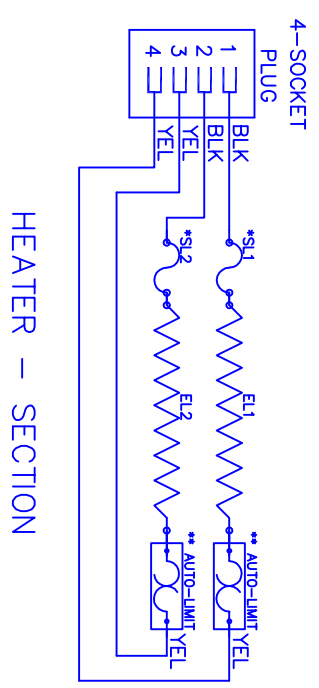
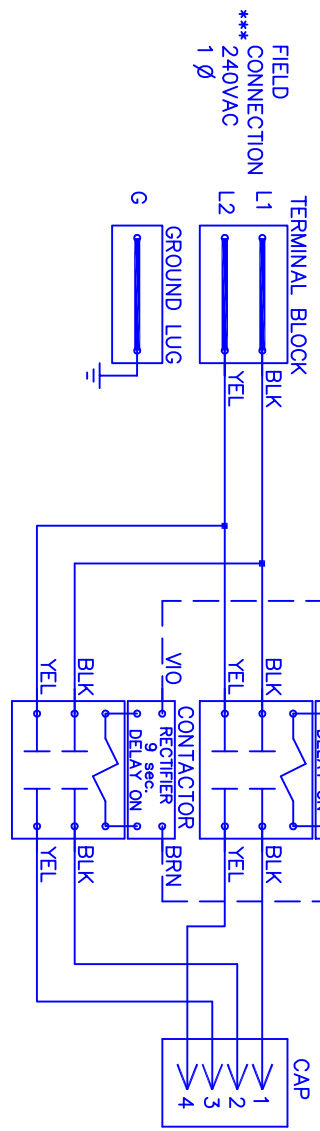
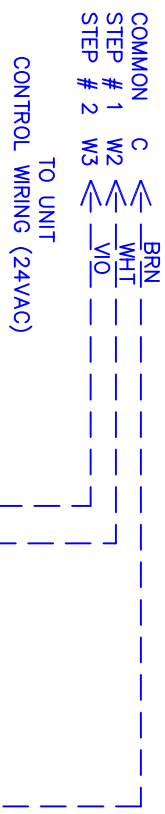


WZIH — 1002DP



Model	WZH-1002DP
Serial #	_____
Tag -	_____
Kilowatts	10.00
Volts-Ph-Hz	240/1/60
Control Volts	24.0
Steps	2
Heater Amps	41.66

WZH1002DP

Rev. by : M. REEVES
 Date : 02/27/15

WARREN TECHNOLOGY

NOTE :

- * Replace "Service Loop" with SL-075B
- ** Replace Auto-Reset with Therm-O-Disc type 60TX11-L165.
- *** Power supply wiring per NEC & Local Codes. Suitable for at least 75 °C.
- Use copper conductor wiring only.
- Relays utilize 22VDC coils with AC to DC rectifiers. Do not use relay without rectifier.
- Replace with factory authorized parts only.
- 24VAC, Class 2 power source must not exceed 26.4VAC under any primary input voltage condition per UL/NEC.

Control Wiring -----
 Power Wiring -----
 Field Wiring _____