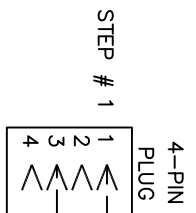


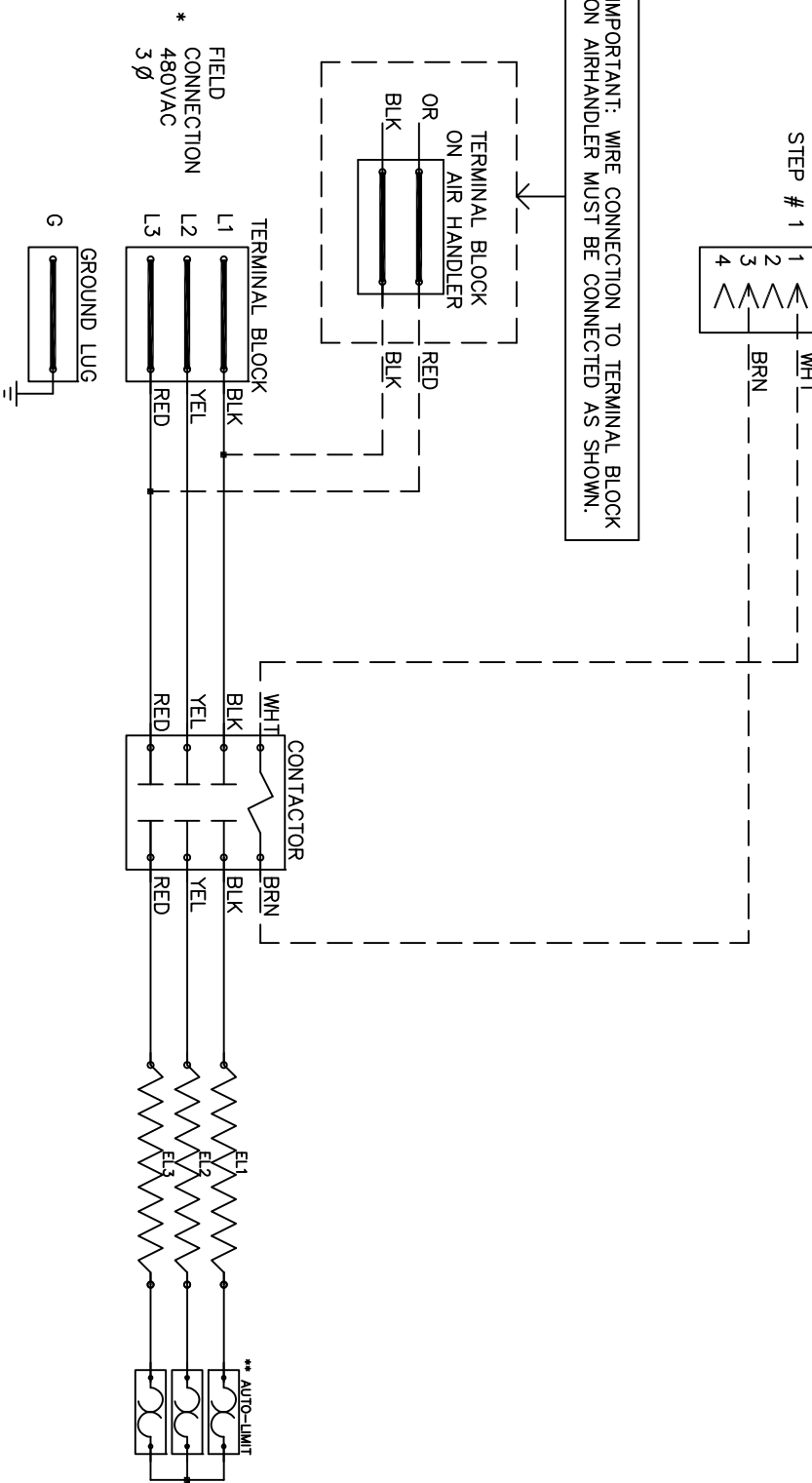
WRX



0705



IMPORTANT: WIRE CONNECTION TO TERMINAL BLOCK ON AIRHANDLER MUST BE CONNECTED AS SHOWN.



Model _____
 Serial # _____
 Tag - _____
 Kilowatts 7.2
 Volts-Ph-Hz 480 / 3Y /60
 Control Volts 24.0
 Steps 1
 Heater Amps 8.66
 Circuit Breakers N/A

NOTE :

- * Power supply wiring per NEC & Local Codes. Suitable for at least 75°C. Use copper conductor wiring only.
- ** Replace Auto-Reset with Therm-O-Disc type L-150/L-333..

24VAC, Class 2 power source must not exceed 26.4VAC under any primary input voltage condition per UL/NEC.

Control Wiring _____
 Power Wiring _____
 Field Wiring _____

Rev. by : M. REEVES
 Date : 02/27/15

WARREN TECHNOLOGY

WRX1005