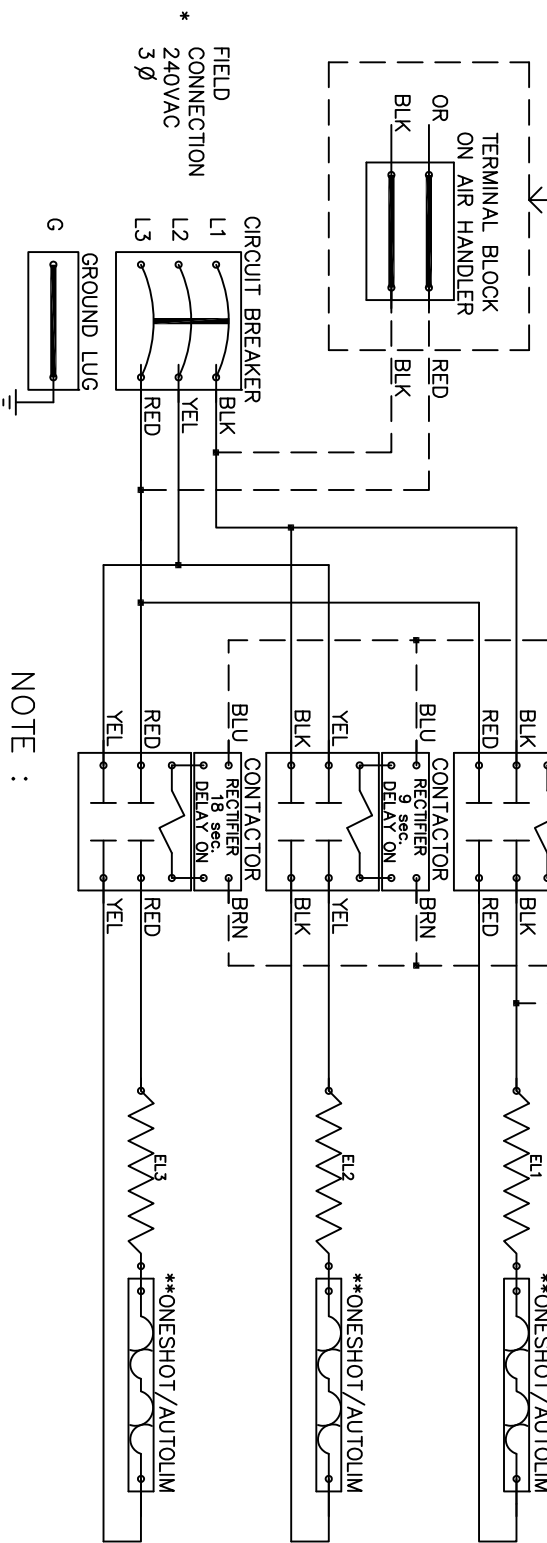


IMPORTANT: WIRE CONNECTION TO TERMINAL BLOCK ON AIRHANDLER MUST BE CONNECTED AS SHOWN.



NOTE :

- * Power supply wiring per NEC & Local Codes. Suitable for at least 75°C. Use copper conductor wiring only.
 - ** Replace One Shot/Auto-Reset with Therm-O-Disc type L150F-333F
 - *** Relays utilize 22-28VDC coils with AC to DC rectifiers. Do not use relay without rectifier.
- 24VAC, Class 2 power source must not exceed 26.4VAC under any primary input voltage condition per UL/NEC.

Model	WRX-0704B
Serial #	_____
Tag -	_____
Kilowatts	7.20
Volts-Ph-Hz	240/3/60
Control Volts	24.0
Steps	2
Heater Amps	17.32
Circuit Breakers	SEE INSTALLER LABEL

WRX0704B

Rev. by : M. REEVES
Date : 02/27/15

WARREN TECHNOLOGY

Control Wiring _____
Power Wiring _____
Field Wiring _____