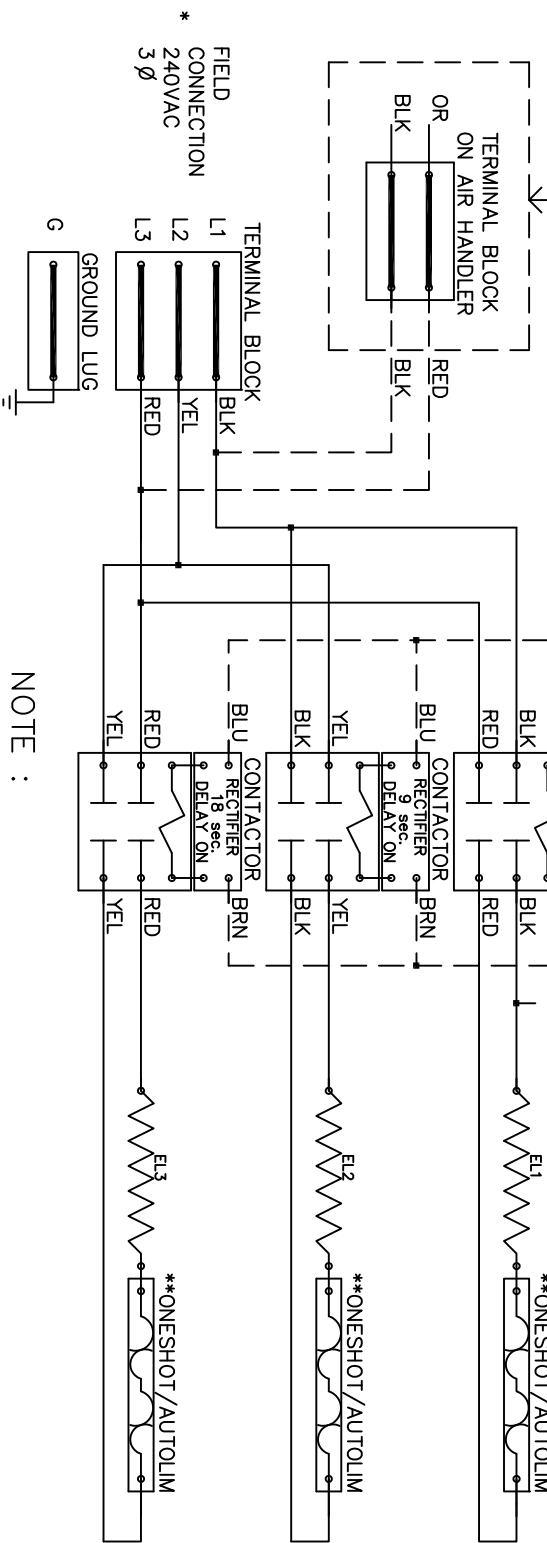


**IMPORTANT: WIRE CONNECTION TO TERMINAL BLOCK ON AIRHANDLER MUST BE CONNECTED AS SHOWN.**



Model	_____
Serial #	_____
Tag -	_____
Kilowatts	7.20
Volts-Ph-Hz	240/3/∕/60
Control Volts	24.0
Steps	2
Heater Amps	17.32
Circuit Breakers	N/A

**NOTE :**

- \* Power supply wiring per NEC & Local Codes. Suitable for at least 75°C. Use copper conductor wiring only.
- \*\* Replace One Shot/Auto-Reset with Therm-O-Disc type L150F-333F
- \*\*\* Relays utilize 22-28VDC coils with AC to DC rectifiers. Do not use relay without rectifier.

24VAC, Class 2 power source must not exceed 26.4VAC under any primary input voltage condition per UL/NEC.

Control Wiring \_\_\_\_\_  
 Power Wiring \_\_\_\_\_  
 Field Wiring \_\_\_\_\_