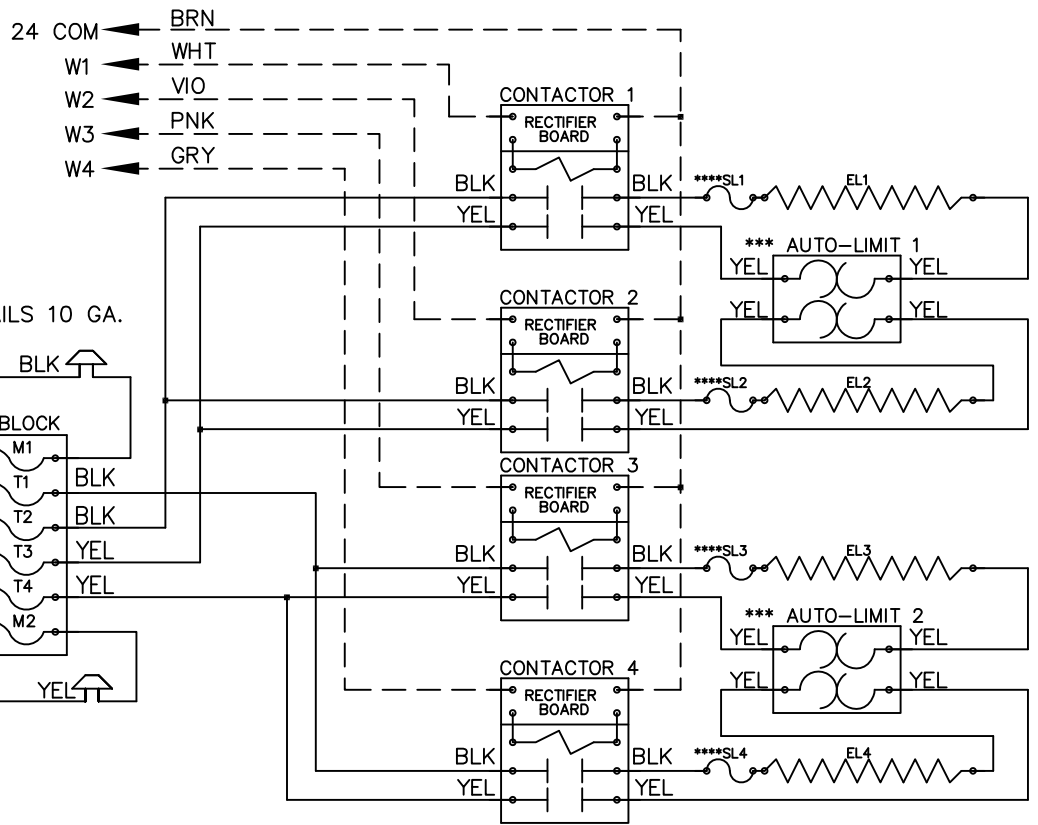
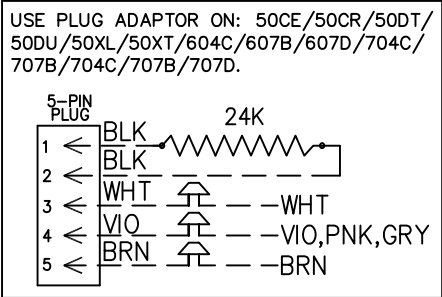


WGS-1501H/2002H



- M1 = 50 AMP. S.B.
- T1 = 60 AMP. S.B.
- T2 = 60 AMP. S.B.
- T3 = 60 AMP. S.B.
- T4 = 60 AMP. S.B.
- M2 = 50 AMP. S.B.

Model	<u>WGS-1501H/2002H</u>
Serial #	_____
Tag -	_____
Kilowatts	<u>15.0/20.0</u>
Volts-Ph-Hz	<u>208/240/1/60</u>
Control Volts	<u>24.0</u>
Steps	<u>4</u>
Heater Amps	<u>72.2/83.3</u>
Heater Fuses	<u>See chart above</u>
Control Wiring	-----
Power Wiring	_____
Field Wiring	_____

NOTE :

- * Power supply wiring per NEC & Local Codes. Suitable for at least 75° C
- Use copper conductor wiring only.
- Field wire, NEC Class I
- *** Replace Auto-Reset with Therm-O-Disc type 64TX11-2PL-L165
- **** Replace Service-Loop with SL075B
- CAUTION-RELAYS UTILIZE 22VDC COILS WITH AC TO DC RECTIFIERS. DO NOT USE RELAY WITHOUT RECTIFIER REPLACE WITH FACTORY AUTHORIZED PARTS ONLY.
- 24VAC, Class 2 power source must not exceed 26.4VAC under any primary input voltage condition per U.L./NEC.
- Replace with 250VAC type Slow Blow fuses
- SINGLE POINT CONNECTION