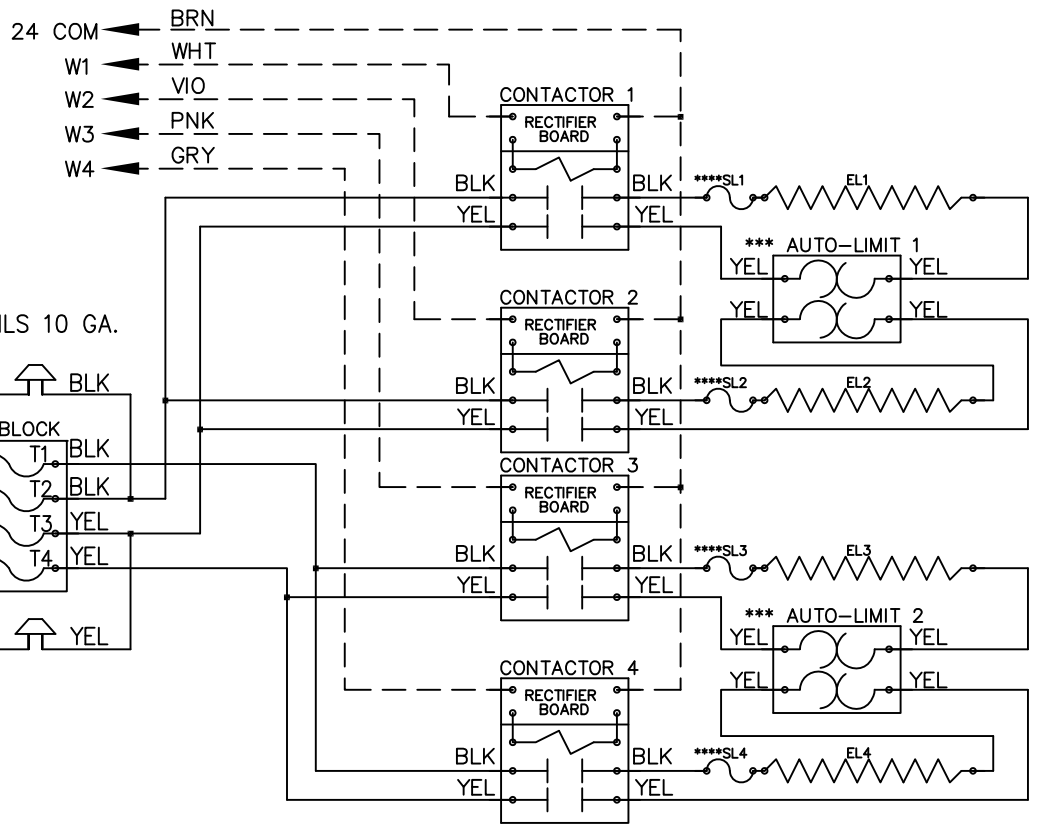
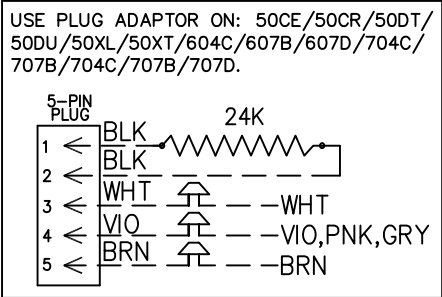


WGS-1501/2002



ALL POWER PIGTAILS 10 GA.

C FROM UNIT 11

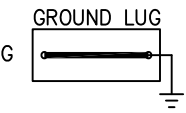
FUSE BLOCK

T1 = 60 AMP. S.B.
T2 = 60 AMP. S.B.
T3 = 60 AMP. S.B.
T4 = 60 AMP. S.B.

L1

L2

C FROM UNIT 23



Model	WGS-1501/2002
Serial #	_____
Tag -	_____
Kilowatts	15.0/20.0
Volts-Ph-Hz	208/240/1/60
Control Volts	24.0
Steps	4
Heater Amps	72.2/83.3
Heater Fuses	See chart above
Control Wiring	-----
Power Wiring	_____
Field Wiring	_____

NOTE :

- * Power supply wiring per NEC & Local Codes. Suitable for at least 75° C. Use copper conductor wiring only. Field wire, NEC Class I
- *** Replace Auto-Reset with Therm-O-Disc type 64TX11-2PL-L165
- **** Replace Service-Loop with SL075B

CAUTION-RELAYS UTILIZE 22VDC COILS WITH AC TO DC RECTIFIERS. DO NOT USE RELAY WITHOUT RECTIFIER REPLACE WITH FACTORY AUTHORIZED PARTS ONLY.

-24VAC, Class 2 power source must not exceed 26.4VAC under any primary input voltage condition per U.L./NEC.

Replace with 250VAC type Slow Blow fuses SINGLE POINT CONNECTION

WGS2002

Rev. by : M. REEVES
Date : 10/07/14

WARREN TECHNOLOGY